

# CONTENTS

## GENERAL SPEC.

### ENGINE

Cylinder Head .....	B2
Cylinder .....	B3
Crankshaft - Piston .....	B4
Valve .....	B5 - B6
Camshaft - Chain .....	B7
Oil Pump .....	B8
Oil Cooler .....	B9
Oil Cleaner .....	B10
Intake .....	B11 - B12
Carburetor .....	B13 - B15
Exhaust .....	C2
Crankcase .....	C3 - C5
Crankcase Cover 1 .....	C6 - C7
Starter Clutch .....	C8
Clutch .....	C9 - C10
Transmission .....	C11 - C12
Shift Cam - Fork .....	C13
Shifter .....	C14

### CHASSIS

Frame .....	C15
Fender .....	D2 - D3
Side Cover .....	D4
Rear Arm .....	D5
Rear Suspension .....	D6
Steering .....	D7
Front Fork .....	D8 - D9
Fuel Tank .....	D10 - D11

Seat .....	D12
Front Wheel .....	D13
Front Brake Caliper .....	D14
Rear Wheel .....	D15 - E2
Rear Brake Caliper .....	E3
Steering Handle - Cable .....	E4
Front Master Cylinder .....	E5
Stand - Footrest .....	E6 - E7
Rear Master Cylinder .....	E8
Cowling 1 .....	E9
Generator .....	E10
Pick Up Coil - Governor .....	E11
Starting Motor .....	E12
Flasher Light .....	E13
Meter .....	E14
Headlight .....	E15
Taillight .....	F2
Handle Switch - Lever .....	F3
Electrical 1 .....	F4
Electrical 2 .....	F5

## INDIVIDUAL SPEC.

### FOR ENGLAND

Alternate (Electrical) .....	F7
------------------------------	----

### FOR SWEDEN

Alternate (Engine) .....	F9
--------------------------	----

## FOR SWITZERLAND, AUSTRIA

Alternate (Engine) .....	F11
Alternate (Chassis) .....	F12

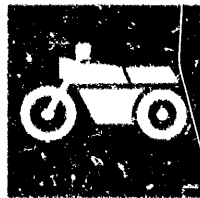
## INDEX (GENERAL SPEC.)

NUMERICAL INDEX .....	K2 - K5
-----------------------	---------

## INDEX (INDIVIDUAL SPEC.)

NUMERICAL INDEX .....	L2
-----------------------	----

**YAMAHA**



**PARTS  
CATALOGUE**

**XJ600S'96 (4BRA) EUROPE**

**XJ600S'96 (4DG6) SWITZERLAND, AUSTRIA**

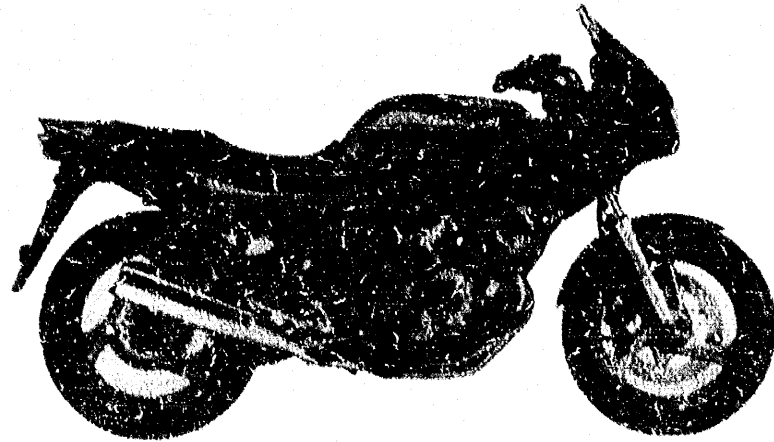
**XJ600S'96 (4EB6) SWEDEN**

---

294BR-30JE1

**YAMAHA**  
**GENUINE**  
Parts & Accessories

**A2**



A3

## FOREWORD

This Parts Catalogue is related to the parts for the model(s) in the below frame. When you are ordering replacement parts, please refer to this Parts Catalogue and quote both part numbers and part names correctly.

X1600S'96(4BRA, 4DG6, 4EB6)

1. Modifications or additions which have been made after issue of the Parts Catalogue will be announced in the Yamaha Parts News. It is advisable that you make necessary corrections to the Parts Catalogue according to the Yamaha Parts News.

2. Abbreviations

The following abbreviations are used in the Parts Catalogue.

- "UR" Use specified parts number
- "UN" Use as many as needed.
- "AP" Alternate Parts
- "LM" Local Made (Parts need to be ordered locally)
- "FB" Frame No. (Applicable machine No.)

3. Parts, which are to be supplied in an assembly, are listed with a dot (.) in front of the part name as shown below.

EXAMPLE

CARBURETOR ASSY  
 . JET, PILOT  
 . NOZZLE, MAIN

4. Number of component for assembly

The numeral appearing to the right of each component part indicates the quantity of parts for each assembly unit.

EXAMPLE

PART NO.	DESCRIPTION	Q'TY	REMARKS
2F5-03310-60	FRONT FLASHER LIGHT ASSY	2	
115-83311-60	BULB (6V-18W)	1	

5. Applicable colors of graphics are represented in the "REMARKS" as shown below.

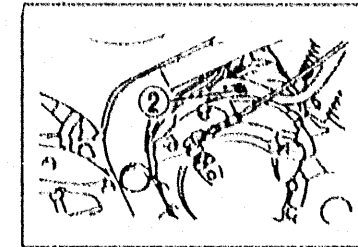
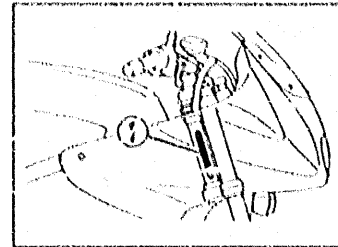
PART NO.	DESCRIPTION	Q'TY	REMARKS
2N4-24110-00-X5	FUEL TANK COMP.	1	MAXIM RED
3J1-24240-10	GRAPHIC, FUEL TANK	1	for MXR

6. Applicable Serial No. and Color Code

4BRA	①) Frame Serial No.	4BR-183101 ~
	②) Engine Serial No.	4BR-183101 ~

4DG6	①) Frame Serial No.	4DG-014101 ~
	②) Engine Serial No.	4DG-014101 ~

4EB6	①) Frame Serial No.	4BR-176101 ~
	②) Engine Serial No.	4BR-176101 ~



Color Code	Color Name	Abbreviation
0266	VERY DARK BLUE METALLIC 3	VDBM3
00FE	MATURE RED	MRE

7. Note that the illustrations are for reference in finding parts numbers, not to be used for assembling. When assembling, please use the applicable service manual.

8. The asterisk (\*) before a reference number indicates modification items after the first edition.

A4

# CONTENTS

## GENERAL SPEC.

### ENGINE

Cylinder Head .....	B2
Cylinder .....	B3
Crankshaft · Piston .....	B4
Valve .....	B5 ~ B6
Camshaft · Chain .....	B7
Oil Pump .....	B8
Oil Cooler .....	B9
Oil Cleaner .....	B10
Intake .....	B11 ~ B12
Carburetor .....	B13 ~ B15
Exhaust .....	C2
Crankcase .....	C3 ~ C5
Crankcase Cover 1 .....	C6 ~ C7
Starter Clutch .....	C8
Clutch .....	C9 ~ C10
Transmission .....	C11 ~ C12
Shift Cam · Fork .....	C13
Shifter .....	C14

### CHASSIS

Frame .....	C15
Fender .....	D2 ~ D3
Side Cover .....	D4
Rear Arm .....	D5
Rear Suspension .....	D6
Steering .....	D7
Front Fork .....	D8 ~ D9
Fuel Tank .....	D10 ~ D11

Seat .....	D12
Front Wheel .....	D13
Front Brake Caliper .....	D14
Rear Wheel .....	D15 ~ E2
Rear Brake Caliper .....	E3
Steering Handle · Cable .....	E4
Front Master Cylinder .....	E5
Stand · Footrest .....	E6 ~ E7
Rear Master Cylinder .....	E8
Cowling 1 .....	E9
Generator .....	E10
Pick Up Coil · Governor .....	E11
Starting Motor .....	E12
Flasher Light .....	E13
Meter .....	E14
Headlight .....	E15
Taillight .....	F2
Handle Switch · Lever .....	F3
Electrical 1 .....	F4
Electrical 2 .....	F5

### INDIVIDUAL SPEC.

#### FOR ENGLAND

Alternate (Electrical) .....	F7
------------------------------	----

#### FOR SWEDEN

Alternate (Engine) .....	F9
--------------------------	----

## FOR SWITZERLAND, AUSTRIA

Alternate (Engine) .....	F11
Alternate (Chassis) .....	F12

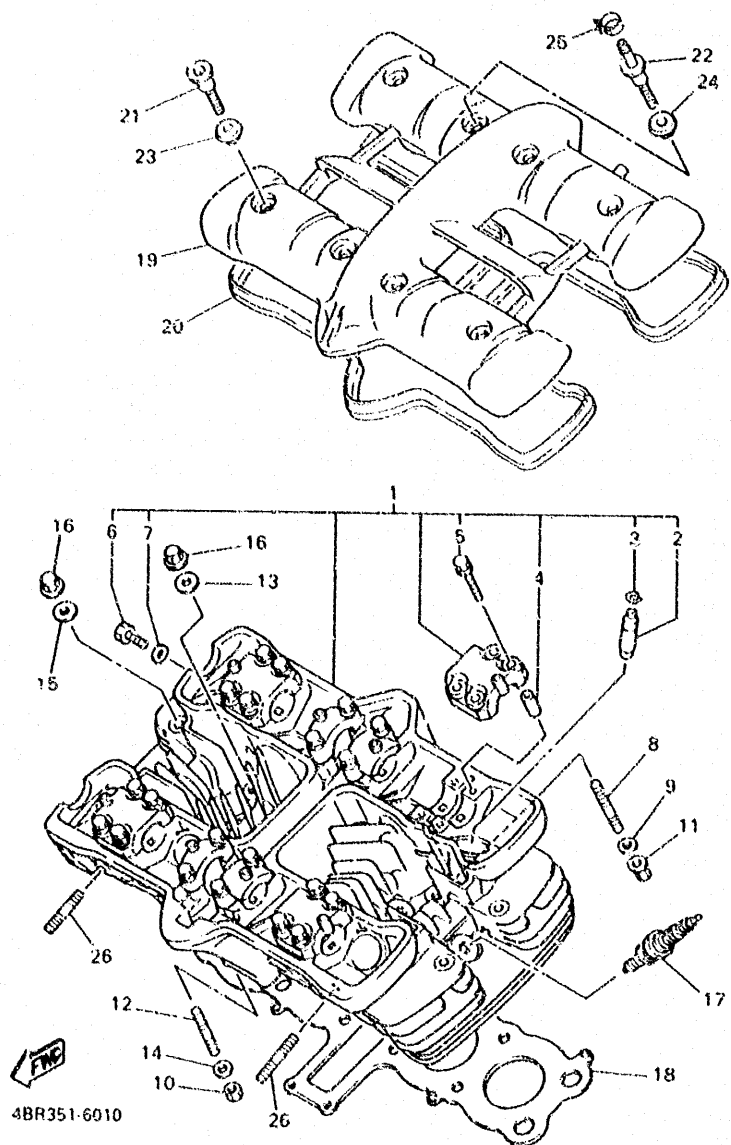
### INDEX (GENERAL SPEC.)

NUMERICAL INDEX .....	K2 ~ K5
-----------------------	---------

### INDEX (INDIVIDUAL SPEC.)

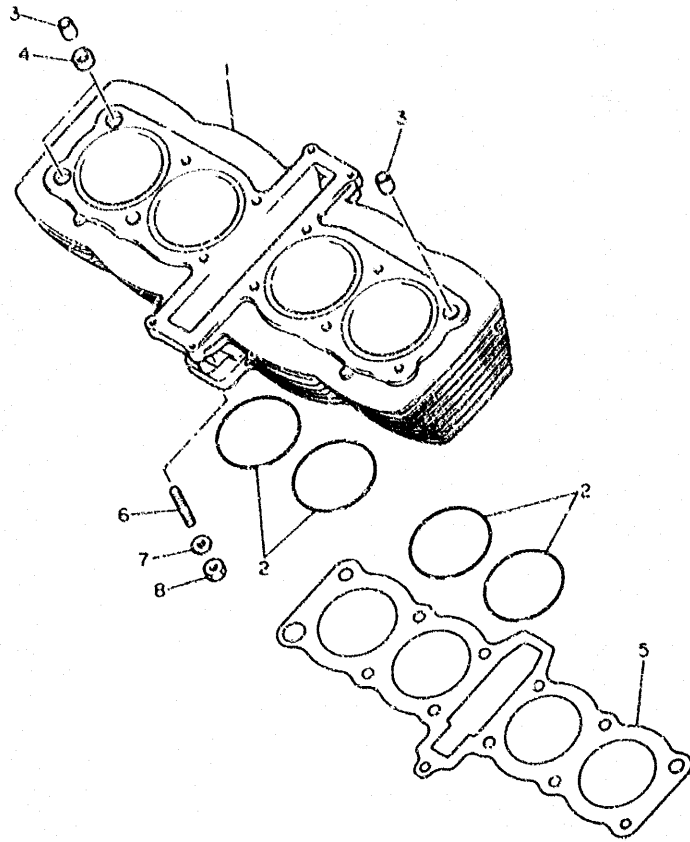
NUMERICAL INDEX .....	L2
-----------------------	----

FIG. 1 CYLINDER HEAD



REF. NO.	PART NO.	DESCRIPTION	Q'TY	REMARKS
1	4BR-11101-10	CYLINDER HEAD ASSY	1	
2	4RR-11133-10	GUIDE, intake valve	8	
3	93440-09141	CIRCLIP	8	
4	99510-08016	PIN, dowel	12	
5	90105-06153	BOLT, washer based	24	
6	90153-06029	SCREW, hexagon	1	
7	90430-06014	GASKET	1	
8	95617-06618	BOLT, stud	2	
9	92907-06600	WASHER, plate	2	
10	95217-06600	NUT	2	
11	90179-06500	NUT	2	
12	95617-06630	BOLT, stud	2	
13	90201-094C1	WASHER, plate	10	
14	92907-06200	WASHER	2	
15	90201-080L7	WASHER, plate	2	
16	90176-08080	NUT, crown	12	
17	94701-00330	PLUG, spark (NGK-R CR8E)	4	UR
	94701-00329	PLUG, spark (U24ESR-N)	4	UR
18	4BR-11181-00	GASKET, cylinder head 1	1	
19	4DU-11191-00	COVER, cylinder head 1	1	
20	4BR-11193-00	GASKET, head cover 1	1	
21	90109-066F0	BOLT	7	
22	4BR-1118E-00	BOLT, cover mount	1	
23	4KG-1111G-00	RUBBER, mount 1	7	
24	4BR-1112G-00	RUBBER, mount 2	1	
25	90467-11106	CLIP	1	
26	90116-09360	BOLT, stud	8	

FIG. 2 CYLINDER



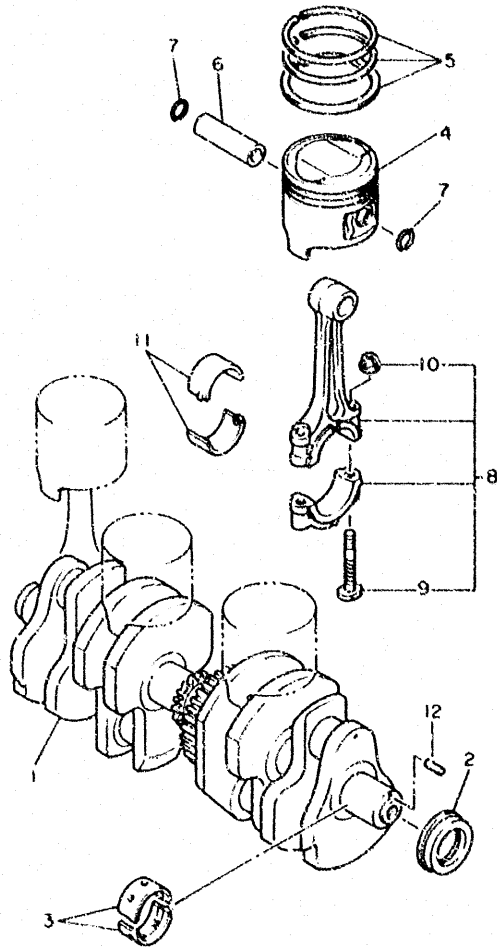
REF. NO.	PART NO.	DESCRIPTION	Q'TY	REMARKS
1	4BR 11310 01	CYLINDER	1	
2	93210-63442	O-RING	4	
3	99530-14016	PIN, dowel	4	
4	90430-14131	GASKET	2	
5	4BR-11351-01	GASKET, cylinder	1	
6	95627-08330	BOLT, stud	1	
7	90201-084G3	WASHER, plate	1	
8	95217-08600	NUT	1	



4BP010-1020

**B3**

FIG. 3 CRANKSHAFT • PISTON



REF. NO.	PART NO.	DESCRIPTION	QTY	REMARKS
1	4BR-11411-00	CRANKSHAFT	1	
2	93101-32144	OIL SEAL	1	
3	4BR-11416-00	PLANE BEARING, crankshaft 1	10	UR BLUE
	4BR-11416-10	PLANE BEARING, crankshaft 1	10	UR BLACK
	4BR-11416-20	PLANE BEARING, crankshaft 1	10	UR BROWN
	4BR-11416-30	PLANE BEARING, crankshaft 1	10	UR GREEN
	4BR-11416-40	PLANE BEARING, crankshaft 1	10	UR YELLOW
4	4BR-11631-00-A0	PISTON (STD)	4	
	4BR-11638-00	PISTON (0.50MM O/S)	4	AP
	4BR-11638-00	PISTON (1.00MM O/S)	4	AP
5	4BR-11610-00	PISTON RING SET (STD)	4	
	4BR-11610-20	PISTON RING SET (0.55MM O/S)	4	AP
	4BR-11610-40	PISTON RING SET (1.00MM O/S)	4	AP
6	49A-11633-00	PIN, piston	4	
7	93450-16068	CIRCLIP	8	
8	4BR-11650-00	CONNECTING ROD ASSY	4	
9	4H7-11654-00	BOLT, connecting rod	2	
10	50179-07307	NUT	2	
11	49A-11656-00	PLANE BEARING, connecting rod	8	UR BLUE
	49A-11656-10	PLANE BEARING, connecting rod	8	UR BLACK
	49A-11656-20	PLANE BEARING, connecting rod	8	UR BROWN
	49A-11656-30	PLANE BEARING, connecting rod	8	UR GREEN
12	93604-10011	PIN, dowel	1	



4BP010-1030

**B4**



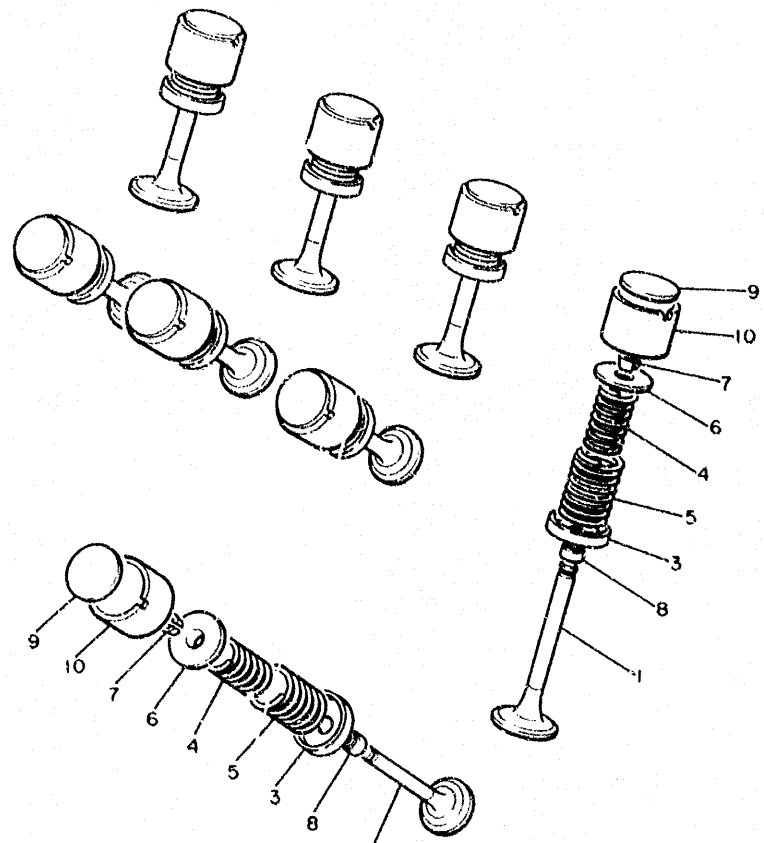


FIG. 4 VALVE

REF. NO.	PART NO.	DESCRIPTION	Q'TY	REMARKS
1	4BR-12111-00	VALVE, intake	4	
2	4BR-12121-00	VALVE, exhaust	4	
3	4BR-12116-00	SEAT, valve spring	0	
4	4BR-12113-00	SPRING, valve inner	8	
5	4BR-12114-00	SPRING, valve outer	8	
6	33M-12117-00	RETAINER, valve spring	8	
7	1AA-12118-00	COTTER, valve	16	
8	33M-12119-00	SEAL, valve stem	8	
9	26H-12168-00	PAD, adjusting (2.00)	8	UR
	26H-12168-20	PAD, adjusting (2.05)	8	UR
	26H-12168-40	PAD, adjusting (2.10)	8	UR
	26H-12168-60	PAD, adjusting (2.15)	8	UR
	26H-12168-80	PAD, adjusting (2.20)	8	UR
	26H-12168-A0	PAD, adjusting (2.25)	8	UR
	26H-12168-F0	PAD, adjusting (2.30)	8	UR
	26H-12168-H0	PAD, adjusting (2.35)	8	UR
	26H-12168-K0	PAD, adjusting (2.40)	8	UR
	26H-12168-M0	PAD, adjusting (2.45)	8	UR
	26H-12168-R0	PAD, adjusting (2.50)	8	UR
	26H-12168-U0	PAD, adjusting (2.55)	8	UR
	26H-12168-W0	PAD, adjusting (2.60)	8	UR
	26H-12168-Y0	PAD, adjusting (2.65)	8	UR
	26H-12169-10	PAD, adjusting (2.70)	8	UR
	26H-12169-30	PAD, adjusting (2.75)	8	UR
	26H-12169-50	PAD, adjusting (2.80)	8	UR
	26H-12169-70	PAD, adjusting (2.85)	8	UR
	26H-12169-90	PAD, adjusting (2.90)	8	UR
	26H-12169-E0	PAD, adjusting (2.95)	8	UR


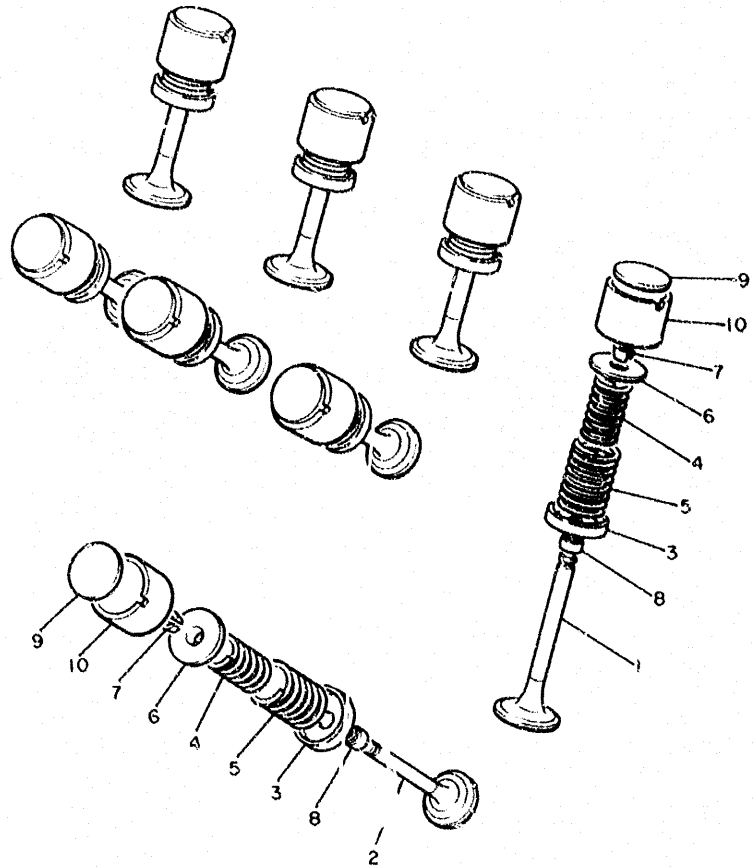
  
 48P010-1040

FIG. 4 VALVE



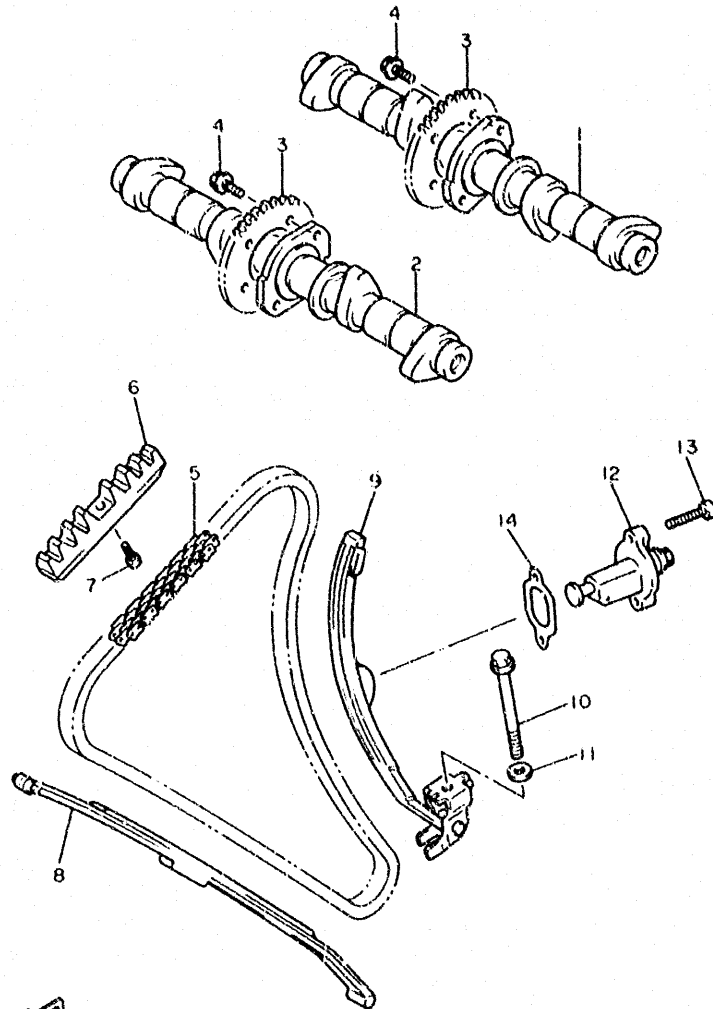
REF. NO.	PART NO.	DESCRIPTION	Q'TY	REMARKS
9	26H-12169-G0	PAD, adjusting (3.00)	8	UR
	26H-12169-J0	PAD, adjusting (3.05)	8	UR
	26H-12169-L0	PAD, adjusting (3.10)	8	UR
	26H-12169-N0	PAD, adjusting (3.15)	8	UR
	26H-12169-T0	PAD, adjusting (3.20)	8	UR
10	26H-12153-00-Y0	LIFTER, valve	8	




4BP010-1040

**B6**

FIG. 5 CAMSHAFT • CHAIN

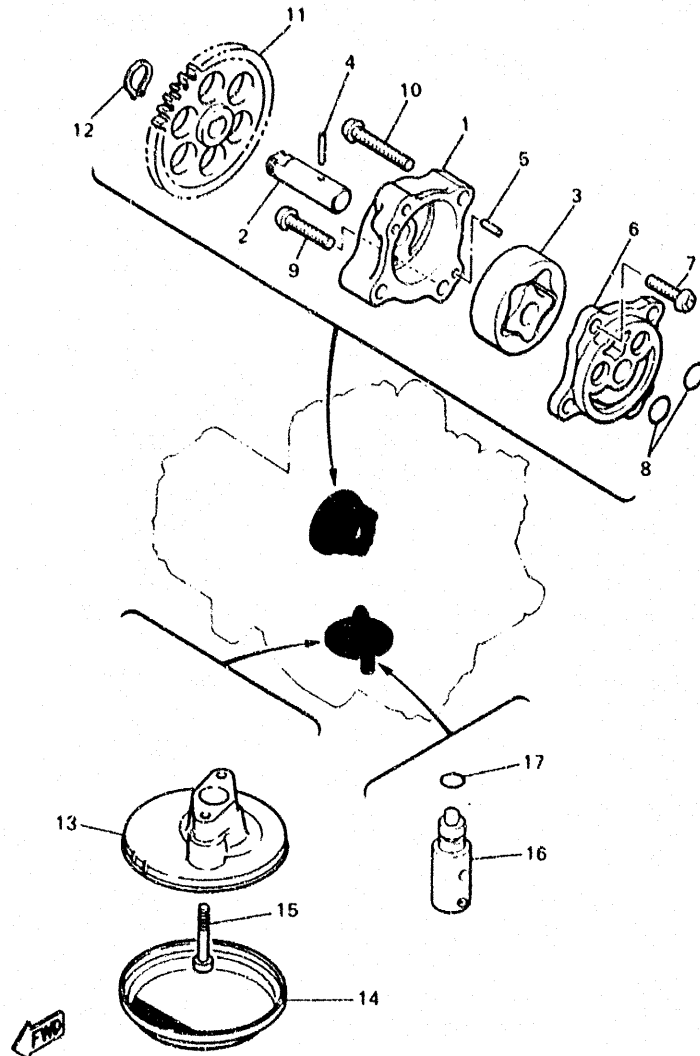


  
4BP010-1050

REF. NO.	PART NO.	DESCRIPTION	Q'TY	REMARKS
1	4BR-12171-00	CAMSHAFT 1	1	
2	4BR-12181-00	CAMSHAFT 2	1	
3	4BR-12176-00	SPROCKET, cam chain	2	
4	90105-07342	BOLT, washer based	4	
5	94890-04144	CHAIN	1	
6	4BR-12241-00	GUIDE, stopper 2	1	
7	98907-56010	SCREW, bind	1	
8	4BR-12251-00	DAMPER, chain 1	1	
9	4BR-12252-00	DAMPER, chain 2	1	
10	95827-08075	BOLT, flange	1	
11	90201-020L8	WASHER, plate	1	
12	4BR-12210-00	TENSIONER ASSY, cam chain	1	
13	91317-06025	BOLT	2	
14	4BR-12213-00	GASKET, tensioner case	1	

**B7**

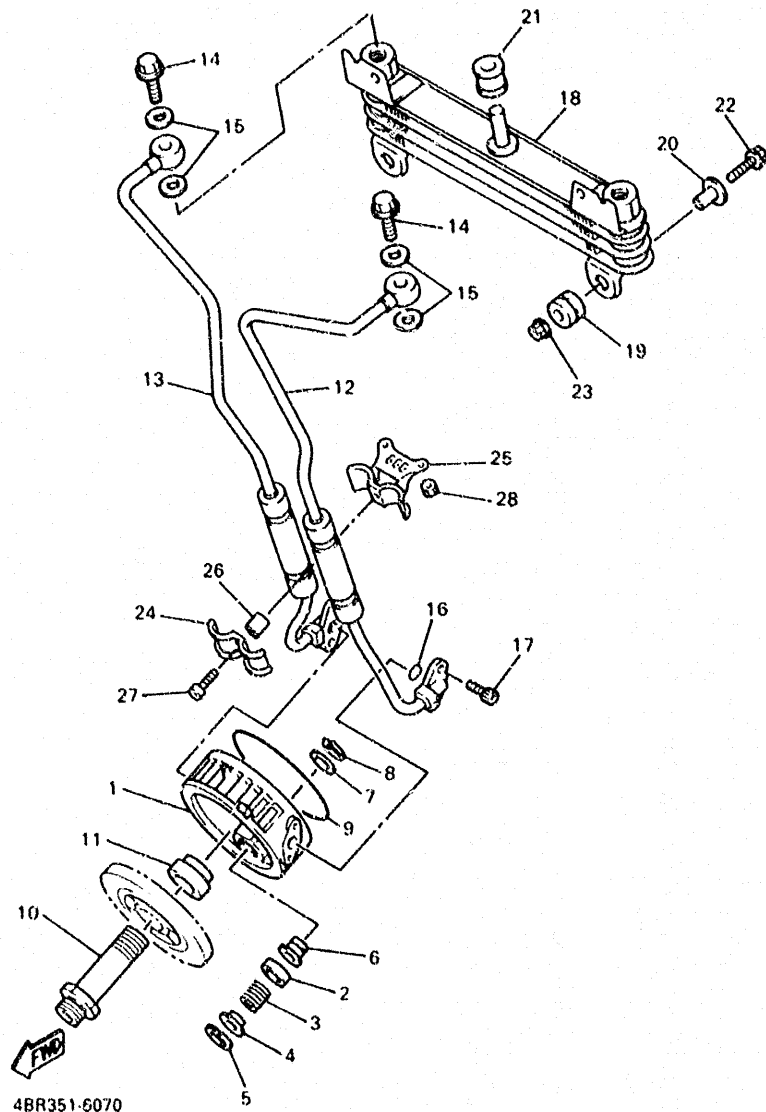
FIG. 6 OIL PUMP



4BR351-6060

REF. NO.	PART NO.	DESCRIPTION	Q'TY	REMARKS
1	33M-13336-00	HOUSING, rotor	1	
2	33M-13314-01	SHAFT, pump	1	
3	4H7-13310-00	ROTOR ASSY 1	1	
4	93603-17070	PIN, dowel	1	
5	93603-07073	PIN, dowel	2	
6	4G0-13316-00	COVER, pump	1	
7	98507-06016	SCREW, pan head	1	
8	93210-13361	O-RING	2	
9	98507-06025	SCREW, pan head	1	
10	98507-06035	SCREW, pan head	2	
11	4EB-13325-00	GEAR, pump driven	1	
12	99009-11400	CIRCLIP	1	
13	4BR-13412-00	HOUSING, strainer	1	
14	4H7-13411-02	STRAINER, oil	1	
15	91317-06030	BOLT	2	
16	11H-13490-00	RELIEF VALVE ASSY	1	
17	93210-10096	O-RING	1	

FIG. 7 OIL COOLER

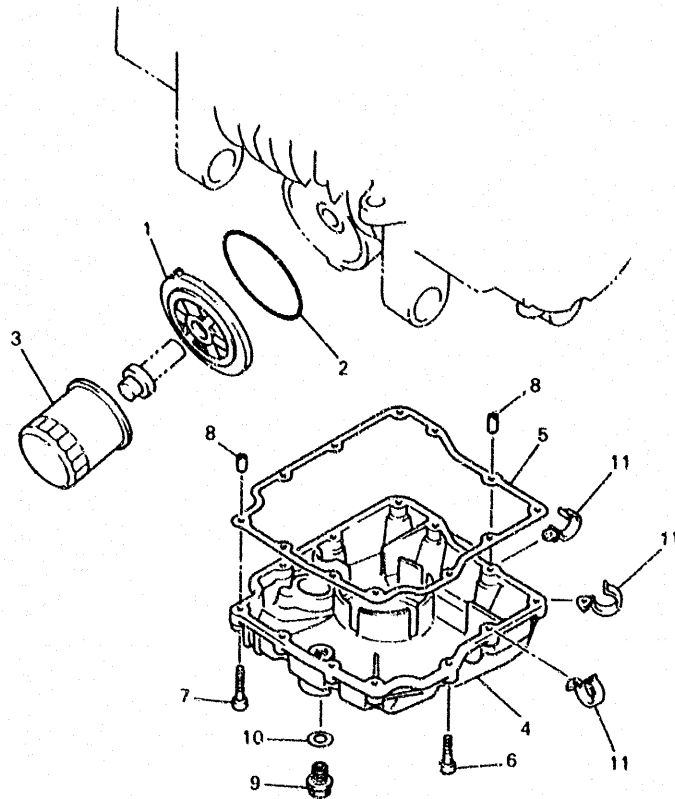


4BR351-6070

REF. NO.	PART NO.	DESCRIPTION	Q'TY	REMARKS
1	4KM-13461-00	PLATE, adaptor	1	
2	4KM-13493-00	PLUNGER	1	
3	90501-12413	SPRING, compression	1	
4	90209-06339	WASHER	1	
5	99009-17500	CIRCLIP	1	
6	4KM-13479-00	SEAT, valve	1	
7	90201-113K2	WASHER, plate	1	
8	99009-11400	CIRCLIP	1	
9	93210-87723	O-RING	1	
10	90401-20162	BOLT, union	1	
11	90387-2005R	COLLAR	1	
12	4EB-13464-00	HOSE, oil 1	1	
13	4EB-13465-00	HOSE, oil 2	1	
14	90401-12122	BOLT, union	2	
15	90430-12202	GASKET	4	
16	93210-10197	O-RING	2	
17	91317-06016	BOLT	4	
18	4EB-13470-00	OIL COOLER ASSY	1	
19	90480-12475	GROMMET	2	
20	90387-067K8	COOLAR	2	
21	90480-16284	GROMMET	1	
22	95827-06025	BOLT, flange	2	
23	95707-06500	NUT, flange	2	
24	90462-10066	CLAMP	1	
25	90462-12140	CLAMP	1	
26	90387-07598	COOLAR	1	
27	91317-06025	BOLT	1	
28	95317-06600	NUT	2	

**B9**

FIG. 8 OIL CLEANER



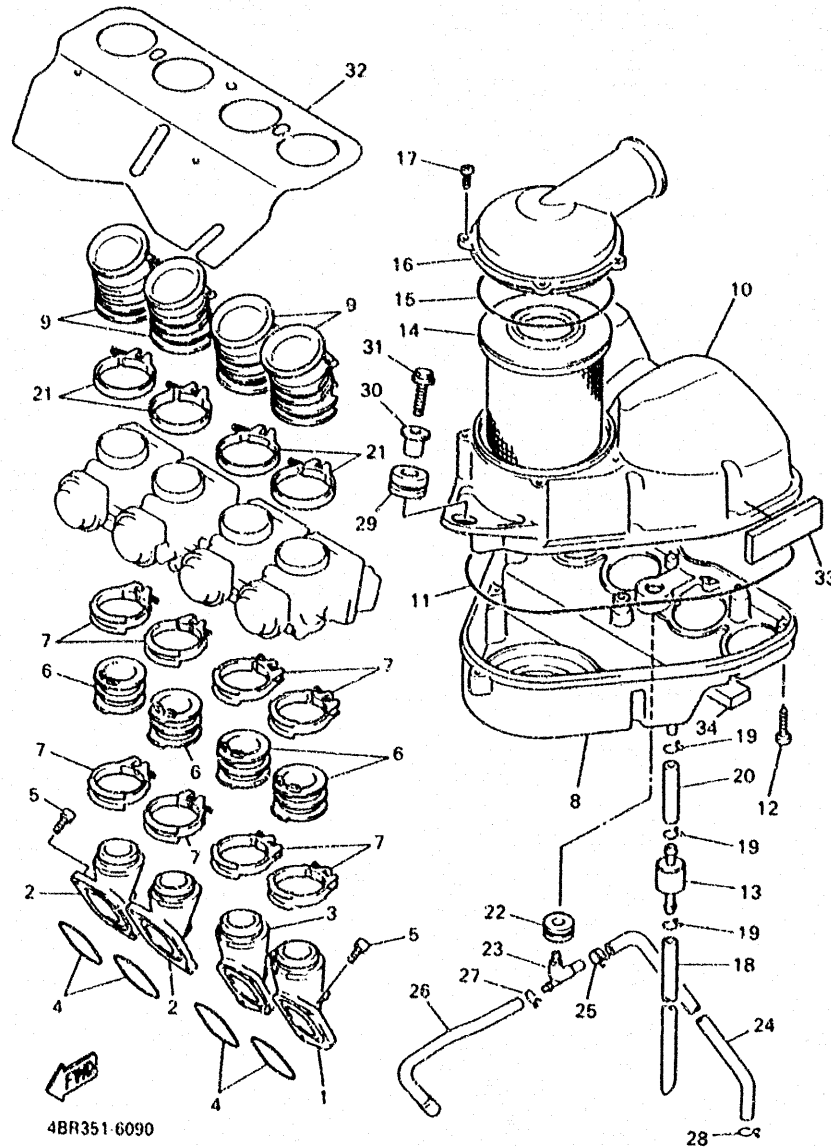
REF. NO.	PART NO.	DESCRIPTION	Q'TY	REMARKS
1	3TJ-13461-00	PLATE, adaptor	1	
2	93210-87723	O-RING	1	
3	3FV-13440-00	ELEMENT ASSY, oil cleaner	1	
4	4BR-13417-00	COVER, strainer	1	
5	4BR-13414-00	GASKET, strainer cover	1	
6	91317-06030	BOLT	10	
7	91317-06040	BOLT	2	
8	99510-08016	PIN, dowel	2	
9	3VD-13455-00	PLUG	1	
10	214-11198-01	GASKET	1	
11	90462-08078	CLAMP	3	



4BR351-6080

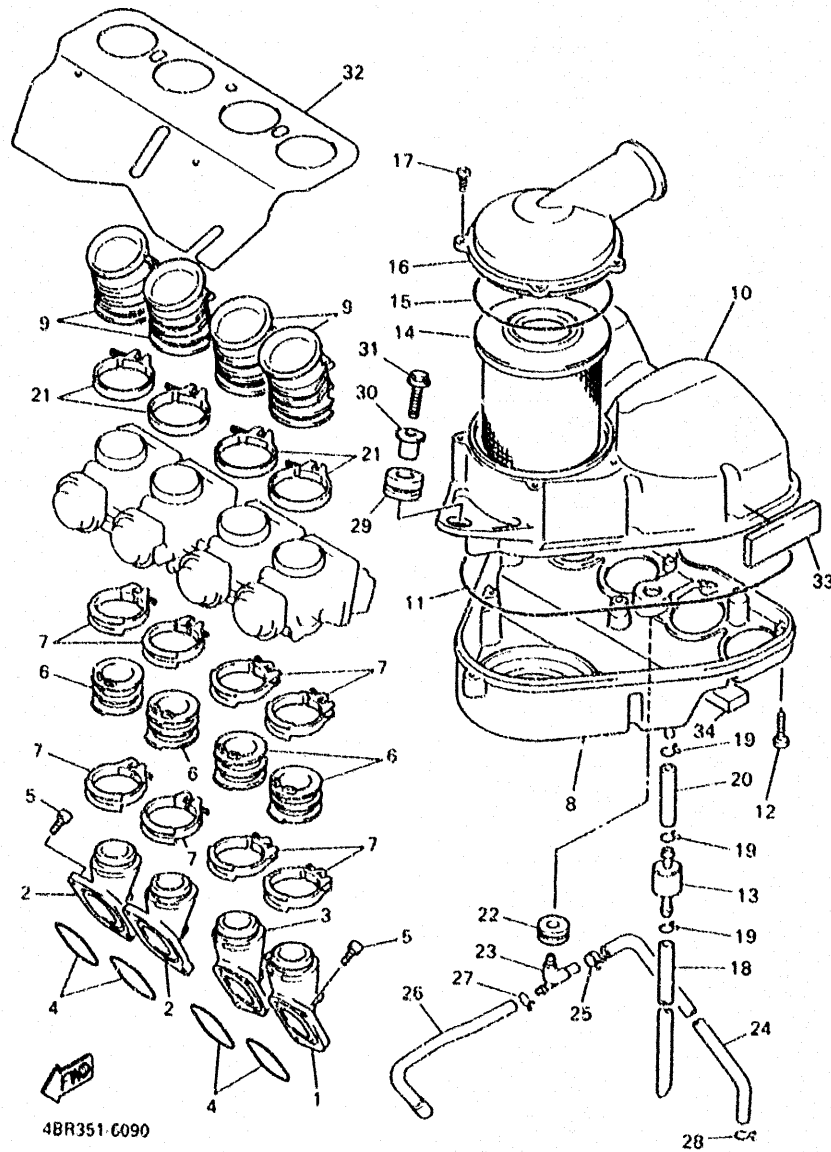
**B10**

FIG. 9 INTAKE



REF. NO.	PART NO.	DESCRIPTION	Q'TY	REMARKS
1	4EB-13586-00	JOINT, carburetor 1	1	
2	4EF-13596-00	JOINT, carburetor 2	2	
3	4EB-13597-00	JOINT, carburetor 3	1	
4	93210-37532	O-RING	4	
5	91317-06020	BOLT, socket head	8	
6	4BR-13598-00	JOINT, carburetor 4	4	
7	4BR-13575-00	BAND	8	
8	4BR-14411-00	CASE, air cleaner 1	1	
9	4EB-14453-00	JOINT, air cleaner 1	4	
10	4BR-14421-00	CASE, air cleaner 2	1	
11	4BR-14452-00	SEAL	1	
12	97707-50130	SCREW, tapping	10	
13	4X7-2149Y-00	FILTER ASSY	1	
14	4BR-14451-00	ELEMENT, air cleaner	1	
15	5T0-14457-00	SEAL	1	
16	4BR-14412-01	CAP, cleaner case 1	1	
17	97707-50130	SCREW, tapping	4	
18	90445-11152	HOSE	1	
19	90467-10008	CLIP	3	
20	90445-11699	HOSE	1	
21	90460-5-1137	CLAMP, hose	4	
22	31A-14435-00	GROMMET	1	
23	4BR-14419-00	PIPE	1	
24	4BR-11166-00	PIPE, breather 1	1	
25	90467-15054	CLIP	1	
26	4BR-14349-00	PIPE	1	
27	90467-10008	CLIP	1	
28	90467-14015	CLIP	1	

FIG. 9 INTAKE

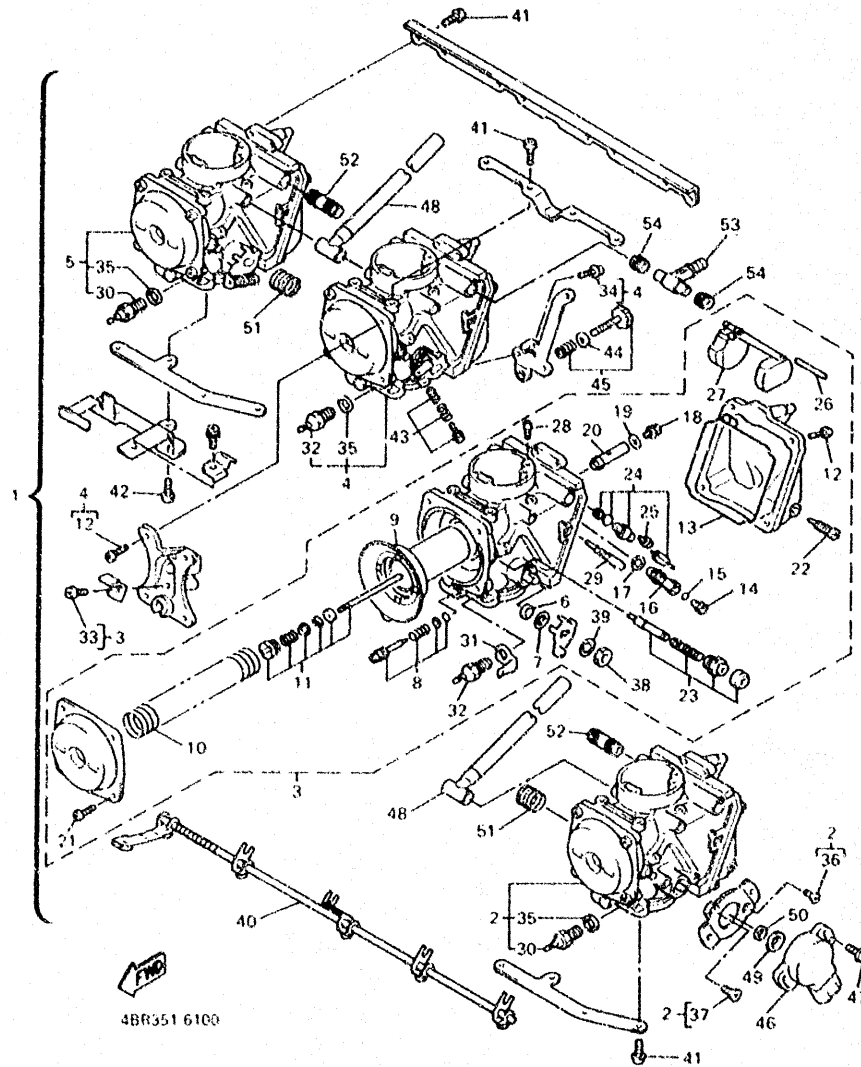


4BR351-G090

REF. NO.	PART NO.	DESCRIPTION	Q'TY	REMARKS
29	90480-14023	GROMMET	1	
30	90387-060M9	COLLAR	1	
31	95817-06030	BOLT, flange	1	
32	4BR-12682-02	PROTECTOR, heat	1	
33	4EB-14425-00	DAMPER 1	2	
34	4KE-14426-00	DAMPER 2	1	

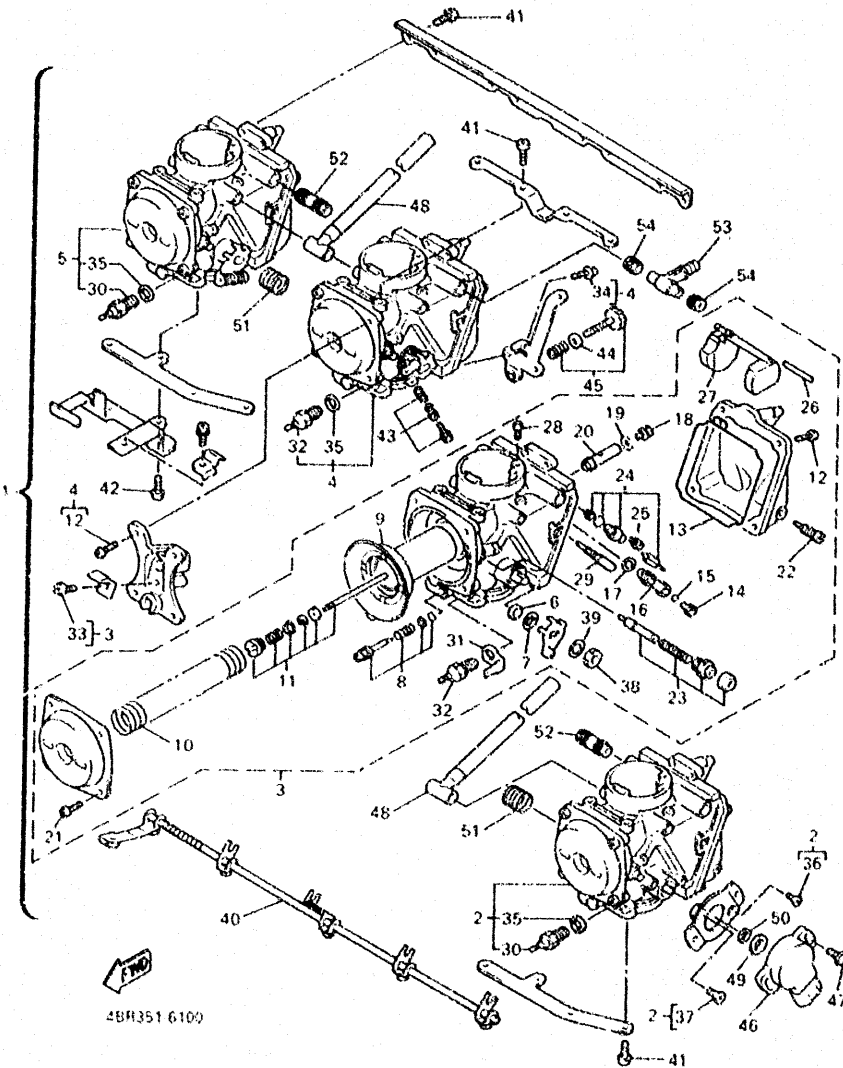


FIG. 10 CARBURETOR



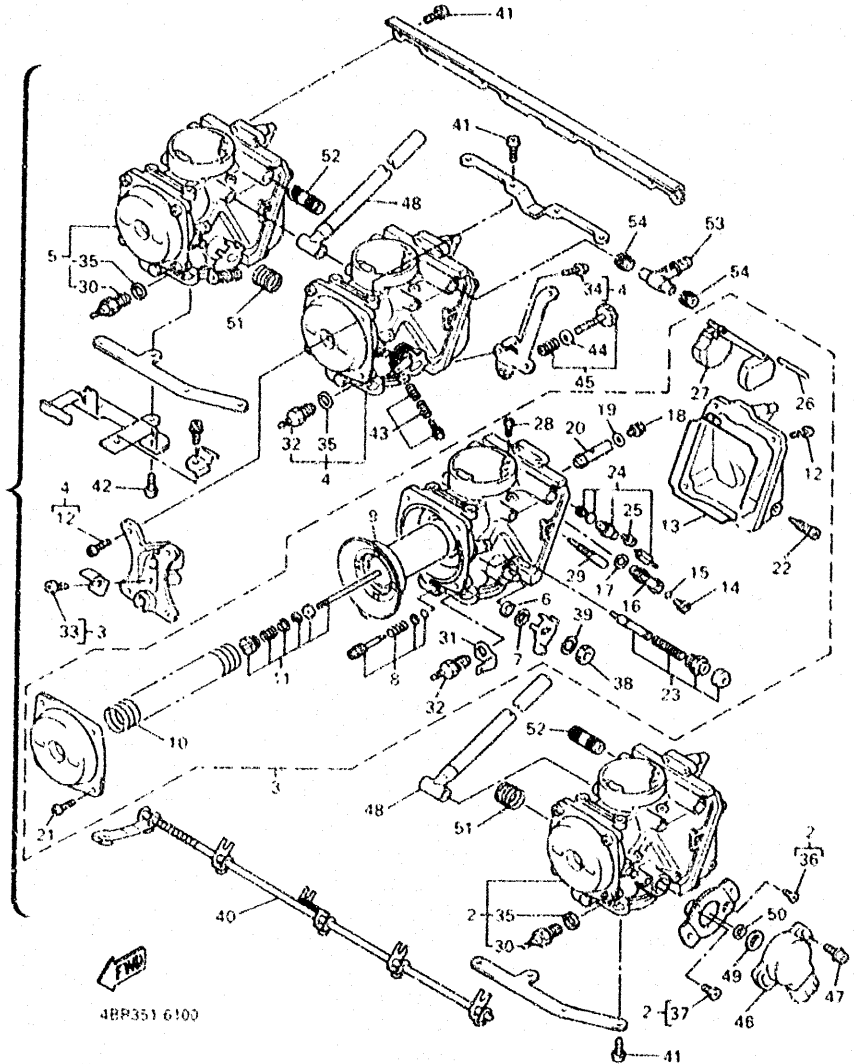
REF. NO.	PART NO.	DESCRIPTION	Q'TY	REMARKS
1	4BR-14900-20	CARBURETOR ASSY	1	
2	4BR-14901-20	..CARBURETOR ASSY 1	1	
3	4BR-14902-20	..CARBURETOR ASSY 2	1	
4	4BR-14903-20	..CARBURETOR ASSY 3	1	
5	4BR-14904-20	..CARBURETOR ASSY 4	1	
6	256-14997-00	..SEAL	1	UR #4
	256-14987-00	..SEAL	2	UR #1, 2, 3
7	1A8-14953-00	..WASHER	1	
8	12R-14105-00	..PILOT SCREW SET	1	
9	4BR-14940-00	..DIAPHRAGM ASSY	1	
10	1HX-14933-00	..SPRING, diaphragm	1	
11	4BR-1490J-10	..NEEDLE SET	1	
12	98580-04014	..SCREW, pan head	4	UR #1, 2, 4
	98580-04014	..SCREW, pan head	5	UR #3
13	1HX-14147-00	..O-RING	1	
14	620-14231-20	..JET, main (#100)	1	
15	1AE-14227-00	..O-RING	1	
16	1AE-14261-00	..HOLDER	1	
17	1AE-14237-00	..GASKET	1	
18	1HX-14565-00	..SCREW	1	
19	137-14153-00	..WASHER, main jet	1	
20	3DM-14141-30	..MAIN NOZZLE	1	
21	98580-04008	..SCREW, pan head	2	UR #2, 3
	98580-04008	..SCREW, pan head	4	UR #1, 4
22	12R-14191-00	..PLUG, drain	1	
23	4DU-1410A-00	..STARTER SET	1	
24	3CF-14107-10	..NEEDLE VALVE SET	1	
25	1FN-14565-00	..SCREW	1	

FIG. 10 CARBURETOR



REF. NO.	PART NO.	DESCRIPTION	QTY	REMARKS
26	353-14186-00	..PIN, float	1	
27	1HX-14985-00	..FLOAT	1	
28	1HX-14231-2B	..JET, main (#140)	1	
29	22F-14142-17	..JET, pilot (#17.5)	1	
30	4EB-83790-00	..HEATER ASSY	1	
31	4DH-82103-00	..TERMINAL 1	1	
32	3AB-83790-00	..HEATER ASSY	1	
33	98507-05008	..SCREW, pan head	1	
34	4DU-14125-00	..SCREW	1	UR #3
	4DU-14125-00	..SCREW	2	UR #2
35	90201-080S8	..WASHER, plate	1	
36	98706-03008	..SCREW, flat head	1	
37	98706-05010	..SCREW, flat head	1	
38	812-14594-00	..NUT	1	#2, 3
39	92907-08100	..WASHER, spring	1	#2, 3
40	4BR-1490L-00	..STARTER LEVER SET, 1	1	
41	98507-05010	..SCREW, pan head	18	
42	98517-05012	..SCREW, pan head	2	
43	3KW-1490K-00	..STOP SCREW SET	3	
44	22F-14117-00	..WASHER, plug screw	1	
45	1HX-14103-00	..THROTTLE SCREW SET	1	
46	4HD-85885-00	..THROTTLE SENSOR ASSY	1	
47	4HM-14216-00	..SCREW	2	
48	4BR-14987-10	..HOSE	2	
49	4HM-14239-00	..SEAL	1	
50	4KG-14285-00	..WASHER	1	
51	1HX-14131-00	..SPRING, throttle valve	2	
52	4BR-14389-00	..NIPPLE ASSY	2	

FIG. 10 CARBURETOR



REF. NO.	PART NO.	DESCRIPTION	Q'TY	REMARKS
53	3LN-14251-00	.NIPPLE	1	
54	3EN-14997-00	.SEAL	2	

**B15**

# CONTENTS

## GENERAL SPEC.

### ENGINE

Cylinder Head .....	B2
Cylinder .....	B3
Crankshaft · Piston .....	B4
Valve .....	B5 ~ B6
Camshaft · Chain .....	B7
Oil Pump .....	B8
Oil Cooler .....	B9
Oil Cleaner .....	B10
Intake .....	B11 ~ B12
Carburetor .....	B13 ~ B15
Exhaust .....	C2
Crankcase .....	C3 ~ C5
Crankcase Cover 1 .....	C6 ~ C7
Starter Clutch .....	C8
Clutch .....	C9 ~ C10
Transmission .....	C11 ~ C12
Shift Cam · Fork .....	C13
Shifter .....	C14

### CHASSIS

Frame .....	C15
Fender .....	D2 ~ D3
Side Cover .....	D4
Rear Arm .....	D5
Rear Suspension .....	D6
Steering .....	D7
Front Fork .....	D8 ~ D9
Fuel Tank .....	D10 ~ D11

Seat .....	D12
Front Wheel .....	D13
Front Brake Caliper .....	D14
Rear Wheel .....	D15 ~ E2
Rear Brake Caliper .....	E3
Steering Handle · Cable .....	E4
Front Master Cylinder .....	E5
Stand · Footrest .....	E6 ~ E7
Rear Master Cylinder .....	E8
Cowling 1 .....	E9
Generator .....	E10
Pick Up Coil · Governor .....	E11
Starting Motor .....	E12
Flasher Light .....	E13
Meter .....	E14
Headlight .....	E15
Taillight .....	F2
Handle Switch · Lever .....	F3
Electrical 1 .....	F4
Electrical 2 .....	F5

### INDIVIDUAL SPEC.

#### FOR ENGLAND

Alternate (Electrical) .....	F7
------------------------------	----

#### FOR SWEDEN

Alternate (Engine) .....	F9
--------------------------	----

#### FOR SWITZERLAND, AUSTRIA

Alternate (Engine) .....	F11
Alternate (Chassis) .....	F12

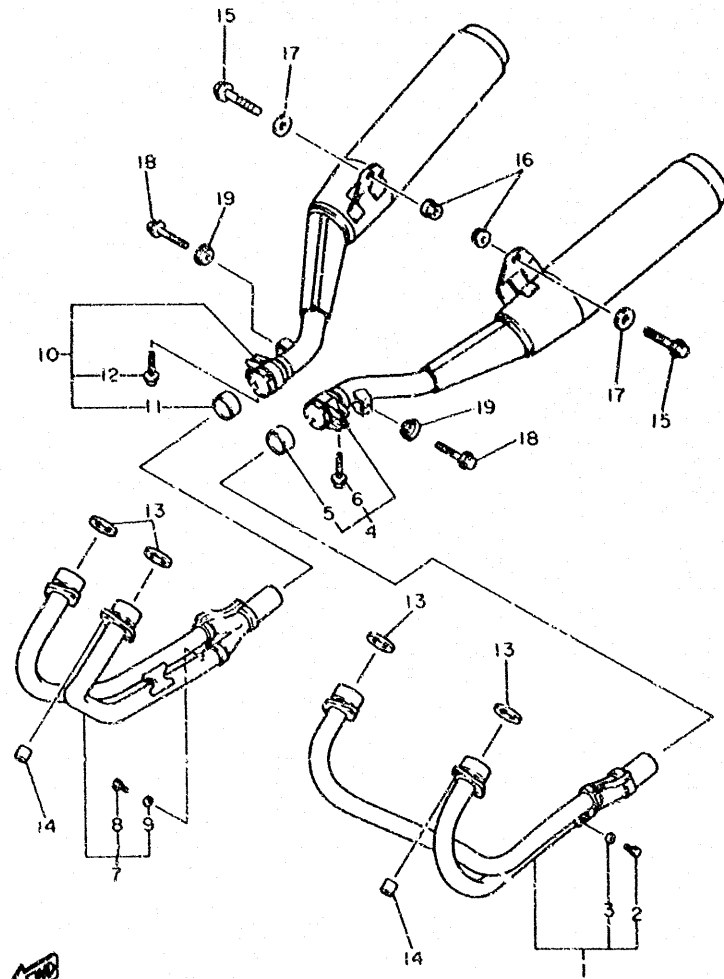
### INDEX (GENERAL SPEC.)

NUMERICAL INDEX .....	K2 ~ K5
-----------------------	---------

### INDEX (INDIVIDUAL SPEC.)

NUMERICAL INDEX .....	L2
-----------------------	----

FIG. 11 EXHAUST

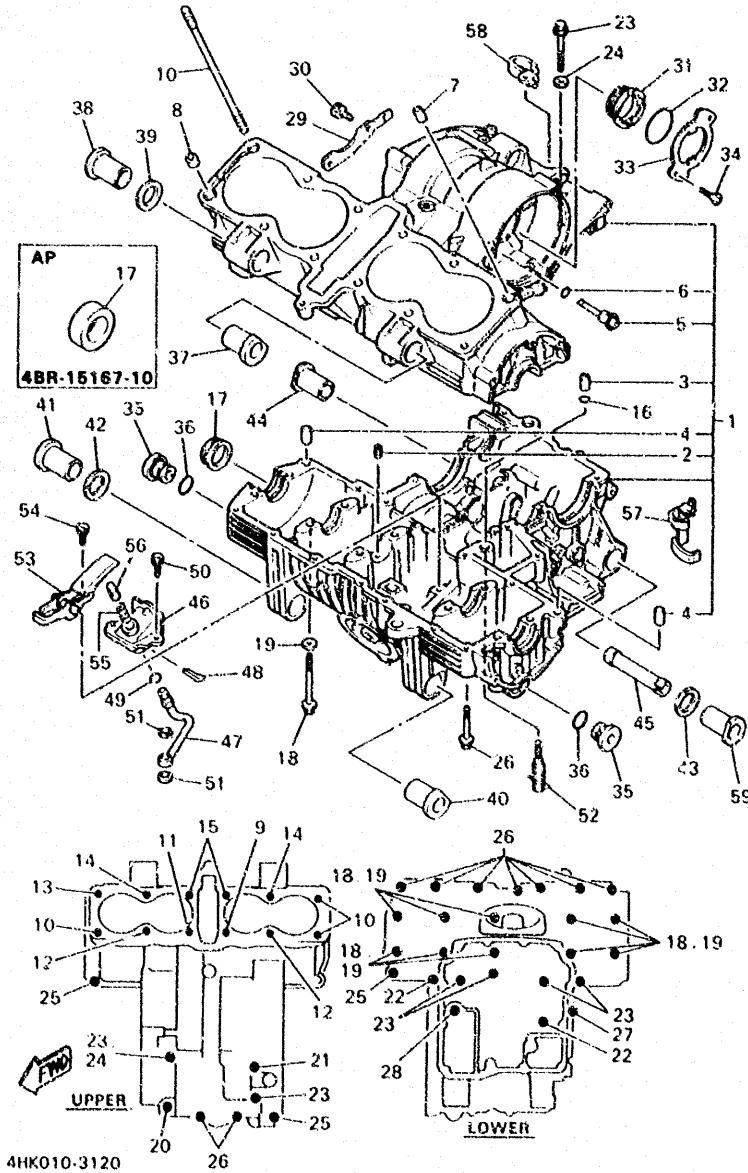


48P010-1110

REF. NO.	PART NO.	DESCRIPTION	Q'TY	REMARKS
1	4BR-14610-02	EXHAUST PIPE ASSY 1	1	
2	90101-06576	•BOLT	2	
3	92990-06600	•WASHER, plate	2	
4	4EB-14710-01	MUFFLER ASSY 1	1	
5	3VD-14755-00	•GASKET, silencer	1	
6	95024-08030	•BOLT, flange	1	
7	4BR-14620-02	EXHAUST PIPE ASSY 2	1	
8	90101-06576	•BOLT	2	
9	92990-06600	•WASHER, plate	2	
10	4EB-14720-01	MUFFLER ASSY 2	1	
11	3VD-14755-00	•GASKET, silencer	1	
12	95024-08030	•BOLT, flange	1	
13	4BR-14613-00	GASKET, exhaust pipe	4	
14	90179-08673	NUT	8	
15	95814-10400	BOLT, flange	2	
16	95707-10500	NUT, flange	2	
17	90201-10669	WASHER, plate	2	
18	95804-08035	BOLT, flange	2	
19	90209-08249	WASHER	2	

C2

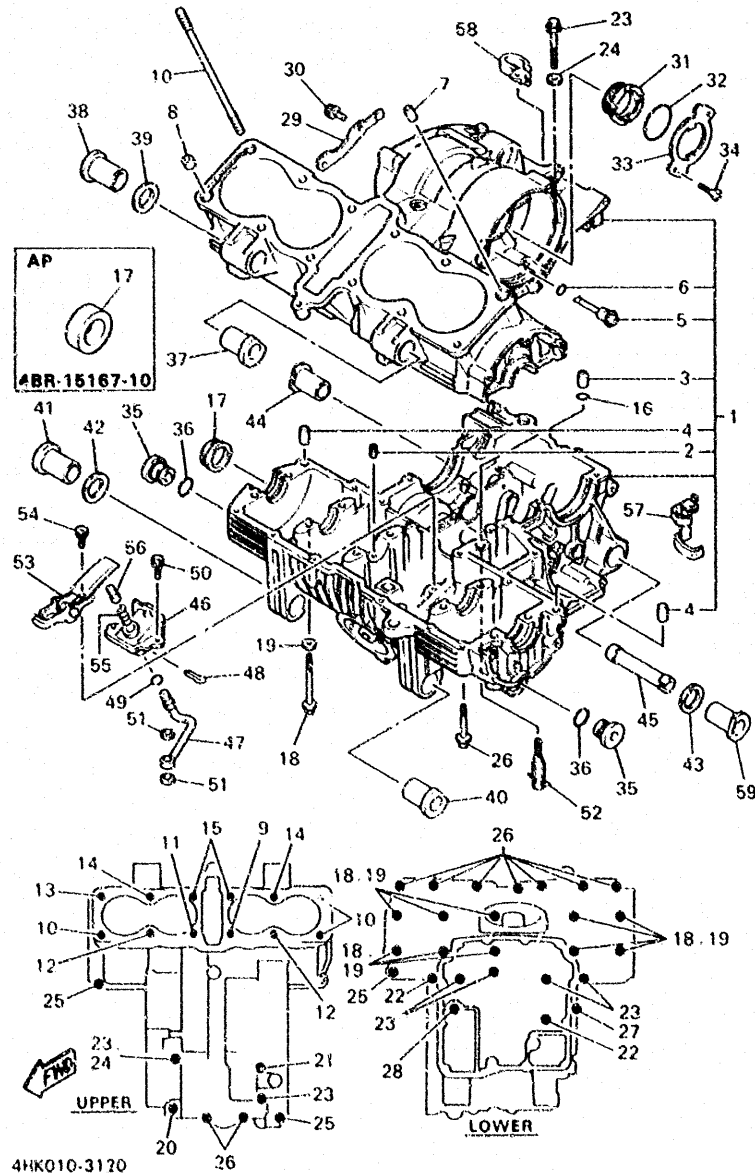
FIG. 12 CRANKCASE



REF. NO.	PART NO.	DESCRIPTION	Q'TY	REMARKS
1	4BR-15100-01	CRANKCASE ASSY	1	
2	4G0-15139-00	NOZZLE 1	1	
3	99530-10014	PIN, dowel	1	
4	99510-12015	PIN, dowel	2	
5	4BR-15149-00	NOZZLE 2	1	
6	93210-11453	O-RING	1	
7	99530-14016	PIN, dowel	1	
8	90387-16547	COLLAR	1	
9	90116-08338	BOLT, stud	1	
10	90116-08566	BOLT, stud	3	
11	90116-08339	BOLT, stud	1	
12	90116-08340	BOLT, stud	2	
13	4BR-11363-00	BOLT, cylinder holding 3	1	
14	4G0-11364-00	BOLT, cylinder holding 4	2	
15	4G0-11363-00	BOLT, cylinder holding 3	2	
16	93210-09350	O-RING	1	
17	90338-48229	PLUG	1	UR
	4BR-15167-10	PLUG	1	AP
18	95814-08100	BOLT, flange	10	
19	90201-094G1	WASHER, plate	10	
20	95817-08080	BOLT, flange	1	
21	95817-06135	BOLT, flange	1	
22	95817-06095	BOLT, flange	2	
23	95817-06065	BOLT, flange	6	
24	0430-06166	GASKET	1	
25	95814-06055	BOLT, flange	3	
26	95814-06045	BOLT, flange	9	
27	95817-05040	BOLT, flange	1	

C3

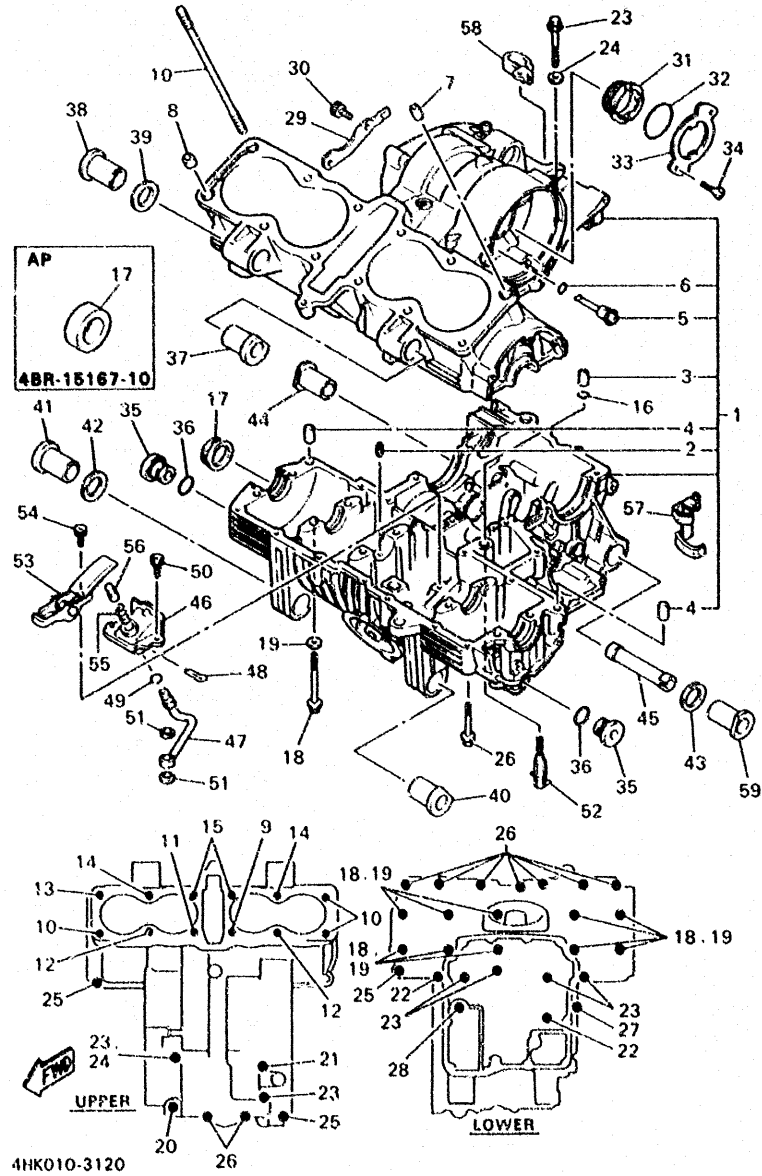
FIG. 12 CRANKCASE



REF. NO.	PART NO.	DESCRIPTION	Q'TY	REMARKS
28	95817-06035	BOLT, flange	1	
29	4BR-15381-00	PLATE, bearing cover	1	
30	91317-06016	BOLT	2	
31	4G0-15163-01	HOUSING, bearing 1	1	
32	93210-48460	O-RING	1	
33	4G0-15383-00	PLATE, bearing cover	1	
34	90151-06014	SCREW, countersunk	2	
35	3KM-15189-00	PLUG	2	
36	93210-20573	O-RING	2	
37	4G0-15336-00	DAMPER, engine mount 3	1	
38	33M-15336-00	DAMPER, engine mount 3	1	
39	90202-15153	WASHER, plate	1	
40	4G0-15316-00	DAMPER, engine mount 1	1	
41	33M-15337-00	DAMPER 4	1	
42	90202-15153	WASHER, plate	1	
43	90202-17211	WASHER, plate	1	
44	46X-15326-00	DAMPER, engine mount 2	1	
45	4BR-15327-00	SPACER, engine mount	1	
46	4G0-11592-00	TENSIONER, chain	1	
47	4G0-13171-00	PIPE, delivery 2	1	
48	91401-25020	PIN, cotter	1	
49	93210-07540	O-RING	1	
50	90110-06158	BOLT, hexagon socket head	2	
51	90430-10171	GASKET	2	
52	4G0-11575-00	RELIEF VALVE ASS'Y	1	
53	4BR-11492-00	TENSIONER ARM COMP.	1	
54	90110-06158	BOLT, hexagon socket head	2	
55	90501-143A8	SPRING, compression	1	

C4

FIG. 12 CRANKCASE

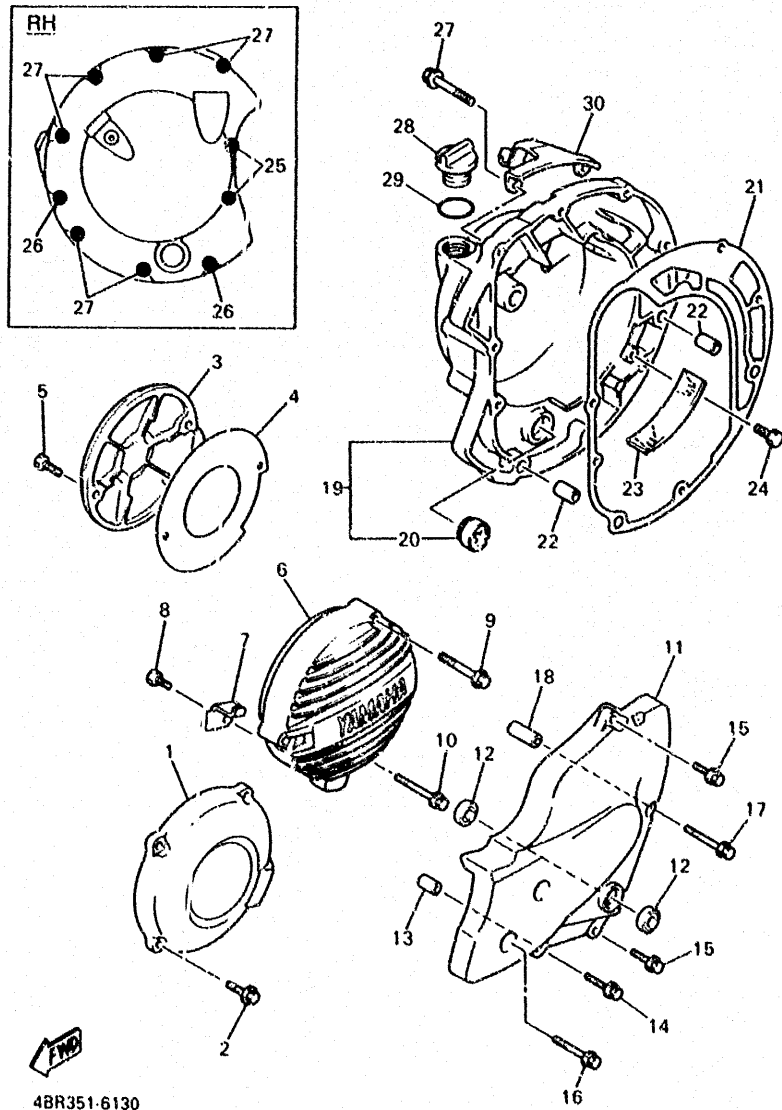


REF. NO.	PART NO.	DESCRIPTION	Q'TY	REMARKS
56	46X-11597-00	PLUNGER, tensioner	1	
57	90462-08087	CLAMP	3	
58	90465-10290	CLAMP	1	
59	90387-125Y2	COLLAR	1	

C5

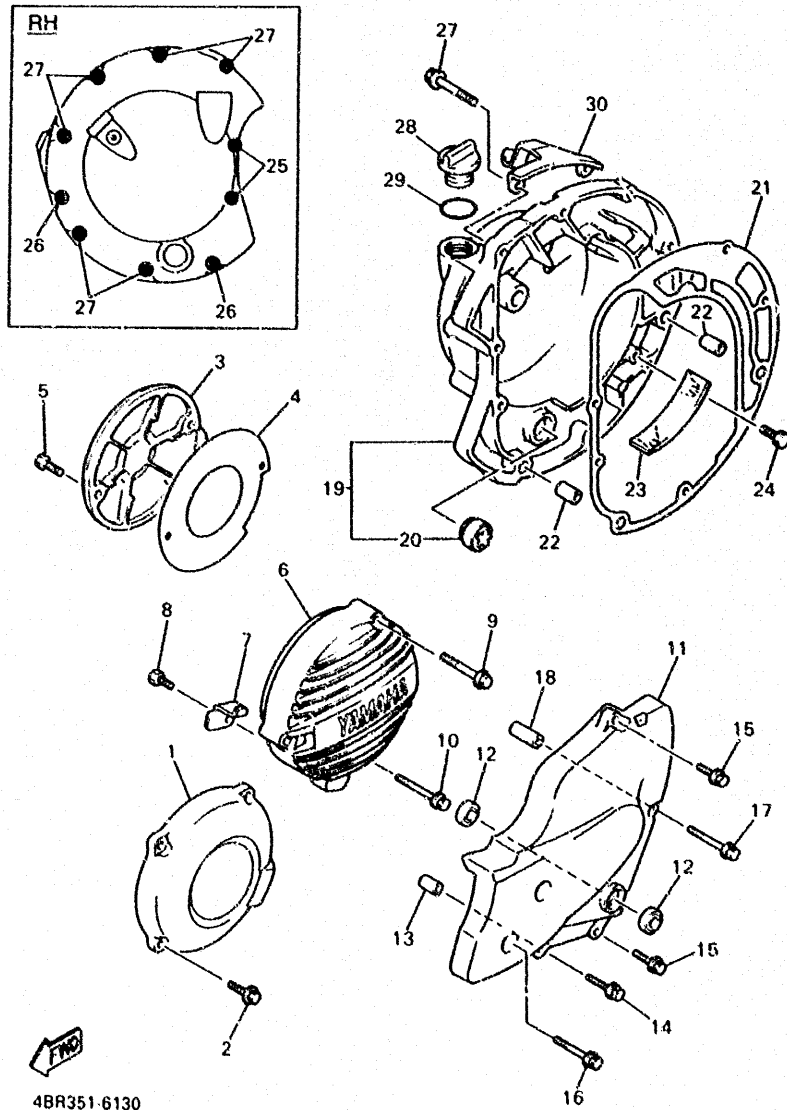


FIG. 13 CRANKCASE COVER 1



REF. NO.	PART NO.	DESCRIPTION	Q'TY	REMARKS
1	4BR-15410-00	CRANKCASE COVER ASSY 1	1	
2	90105-06790	BOLT, washer based	4	
3	4BR-15420-10	CRANKCASE COVER ASSY 2	1	
4	4BR-15463-00	GASKET, carburetor cover 2	1	
5	90111-06010	BOLT	2	
6	4EB-15415-00	COVER, generator	1	
7	4BR-15484-00	CLAMP 2	1	
8	91317-06010	BOLT	1	
9	95024-06065	BOLT, flange	2	
10	90105-06793	BOLT, washer based	1	
11	4BR-15411-01	COVER, crankcase 1	1	
12	93109-12053	OIL SEAL (SDO 12/18/4-1)	2	
13	99530-10014	PIN, dowel	2	
14	95024-06035	BOLT	1	
15	95024-06030	BOLT	2	
16	95024-06055	BOLT, flange	2	
17	95024-06065	BOLT, flange	1	
18	90387-064Y1	COLLAR	1	
19	4BR-W1543-00	CRANKCASE COVER ASSY 2	1	
20	3Y1-15361-00	GAUGE, level	1	
21	4BR-15461-00	GASKET, crankcase cover 2	1	
22	99530-10014	PIN, dowel	2	
23	49A-15412-00	PLATE, oil guide	1	
24	97027-06012	BOLT	2	
25	90105-06794	BOLT, washer based	2	
26	90105-06792	BOLT, washer based	2	
27	90105-06791	BOLT, washer based	6	
28	3F9-15362-00	PLUG, oil level	1	

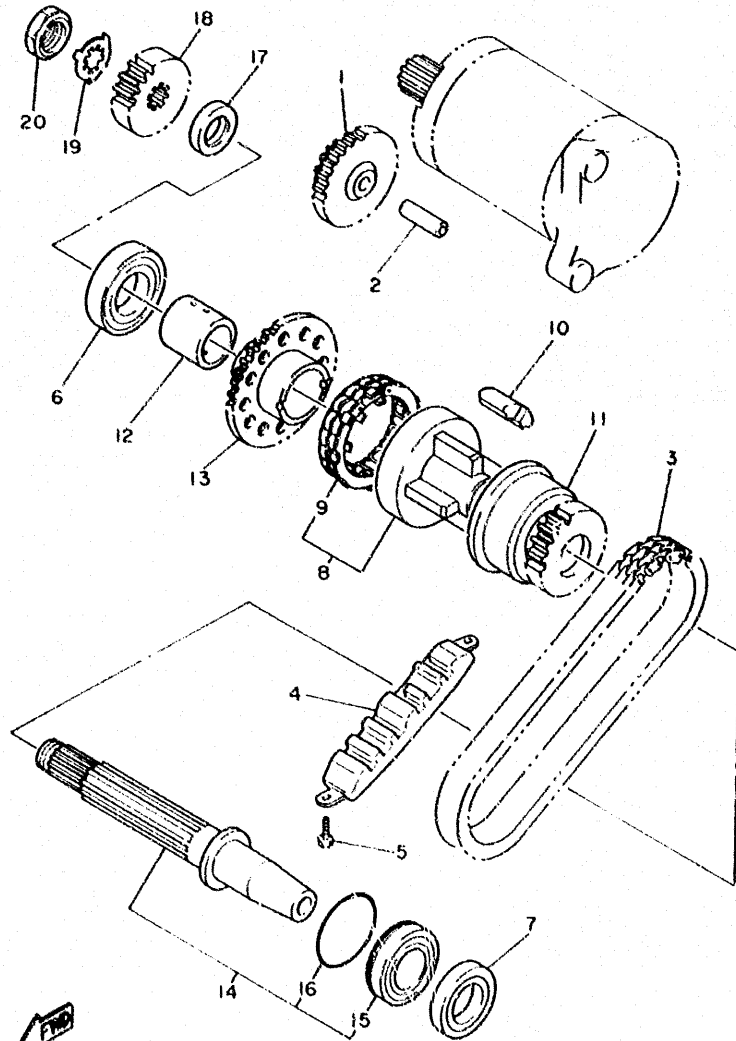
FIG. 13 CRANKCASE COVER 1



REF. NO.	PART NO.	DESCRIPTION	Q'TY	REMARKS
29	93210-27778	O-RING	1	
30	4BR-15441-00	HOLDER, clutch cable	1	

**C7**

FIG. 14 STARTER CLUTCH

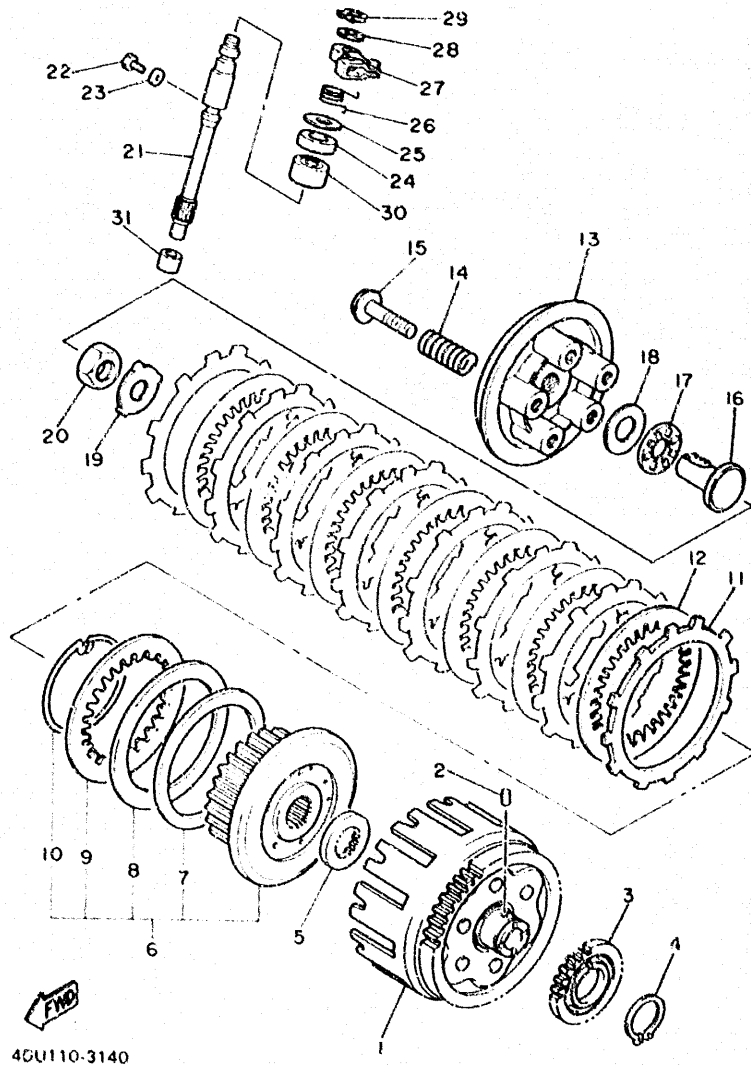


4BR351-2140

**C8**

REF. NO.	PART NO.	DESCRIPTION	QTY	REMARKS
1	4BP-15512-00	GEAR, idler 1	1	
2	33M-15521-00	SHAFT 1	1	
3	4BR-16139-00	CHAIN, primary	1	
4	4BR-11474-00	GUIDE, upper	1	
5	97007-06014	BOLT	2	
6	93306-30525	BEARING (B6305)	1	
7	93102-25253	OIL SEAL	1	
8	4BR-15570-00	STARTER CLUTCH ASSY	1	
9	4BR-15580-01	STARTER CLUTCH OUTER ASSY	1	
10	4BR-16155-00	ABSORBER 1	4	
11	4BR-11537-00	GEAR, driven	1	
12	90387-253Y6	COLLAR	1	
13	4BP-15517-00	GEAR, idler 2	1	
14	4G0-11406-00	SHAFT ASSY	1	
15	93306-20545	BEARING	1	
16	93210-47440	O-RING	1	
17	90387-2103N	COLLAR	1	
18	4U8-16111-00	GEAR primary drive (28T)	1	
19	90215-19226	WASHER, lock	1	
20	90179-16319	NUT	1	

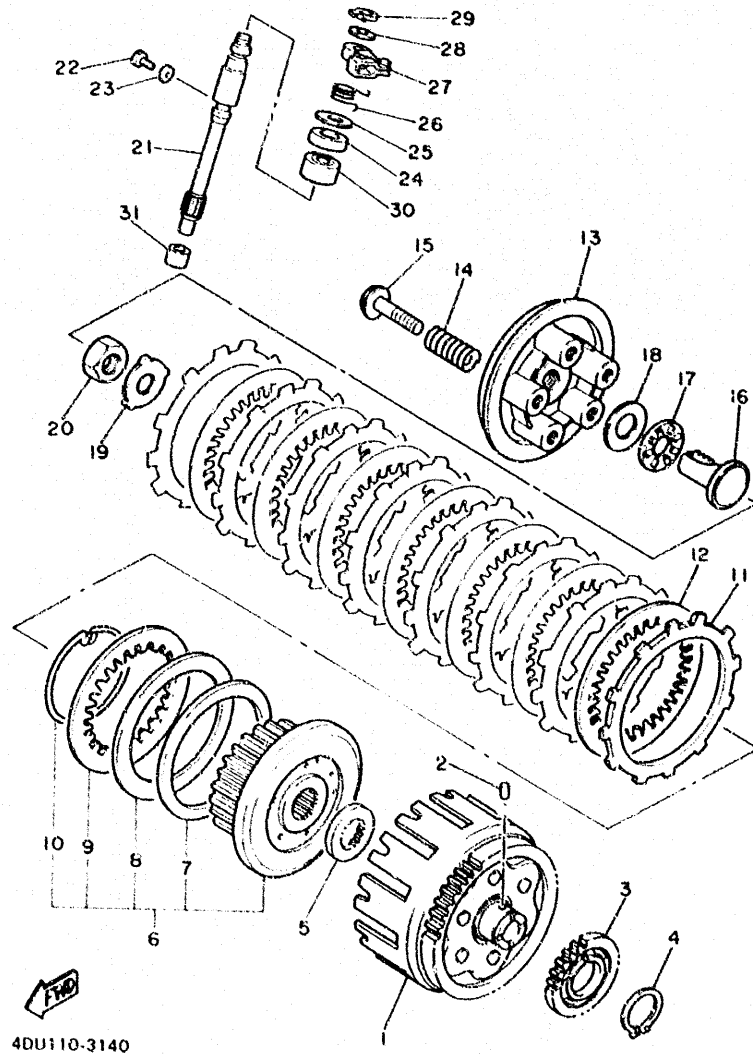
FIG. 15 CLUTCH



REF. NO.	PART NO.	DESCRIPTION	Q'TY	REMARKS
1	4U8-16170-01	PRIMARY DRIVEN GEAR COMP(65T)	1	
2	93605-10108	PIN, dowel	1	
3	4G0-13324-09	GEAR, drive	1	
4	99009-40400	CIRCLIP	1	
5	3Y1-16154-00	PLATE, thrust 1	1	
6	4BR-16370-00	CLUTCH BOSS ASSY	1	
7	1J7-16384-00	PLATE, seat	1	
8	1J7-16383-01	SPRING, clutch boss	1	
9	168-16324-00	PLATE, clutch 1	1	
10	1J7-16385-00	RING, clutch boss	1	
11	4H7-16321-01	PLATE, friction	8	
12	168-16325-00	PLATE, clutch 2	7	
13	4BR-16351-00	PLATE, pressure 1	1	
14	90501-23391	SPRING, compression	5	
15	90159-06092	SCREW, with washer	5	
16	3LD-1637A-01	ROD PUSH ASSY	1	
17	93340-21505	BEARING, thrust	1	
18	90201-150H2	WASHER, plate	1	
19	90215-20231	WASHER, lock	1	
20	90170-20327	NUT	1	
21	3JD-16382-00	AXLE, push lever	1	
22	90105-06789	BOLT	1	
23	90430-06014	GASKET	1	
24	93102-15212	OIL SEAL	1	
25	90201-15785	WASHER, plate	1	
26	90008-142A8	SPRING, torsion	1	
27	4BR-16340-00	PUSH LEVER ASSY	1	
28	90201-10119	WASHER, plate	1	

C9

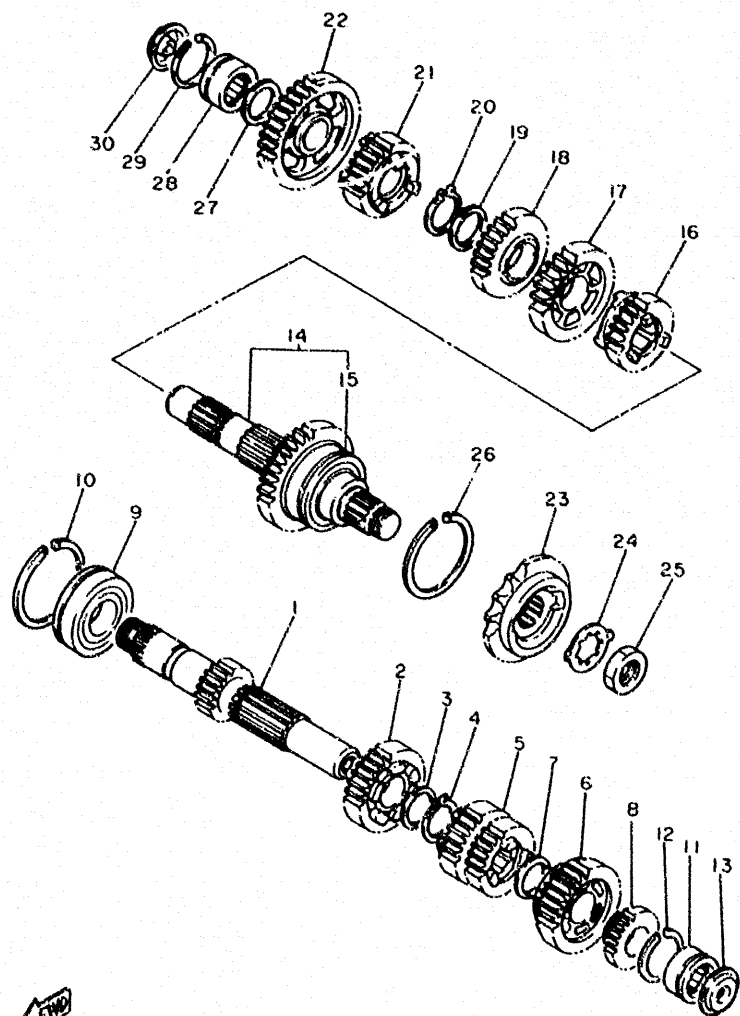
FIG. 15 CLUTCH



REF. NO.	PART NO.	DESCRIPTION	Q'TY	REMARKS
29	99009-10400	CIRCLIP	1	
30	93315-31502	BEARING, cylindrical	1	
31	93315-10838	BEARING, cylindrical	1	

**C10**

FIG. 16 TRANSMISSION

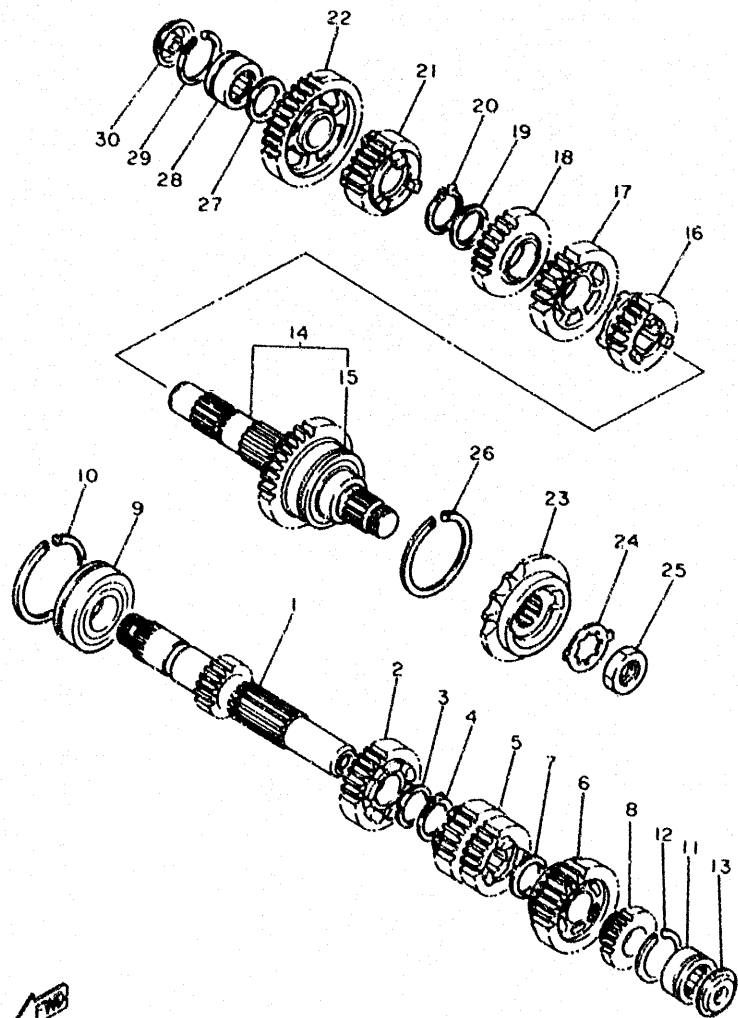


4HP010-1160

REF. NO.	PART NO.	DESCRIPTION	Q'TY	REMARKS
1	4BR-17411-00	AXLE, main	1	
2	4BR-17151-00	GEAR, 5th pinion (23T)	1	
3	90209-22191	WASHER	1	
4	93440-25084	CIRCLIP	1	
5	4BR-17131-00	GEAR, 3rd pinion (27T)	1	
6	4BR-17161-02	GEAR, 6th pinion (28T)	1	
7	90201-200K3	WASHER, plate	1	
8	4BR-17121-00	GEAR, 2nd pinion (18T)	1	
9	93306-30530	BEARING (6305NC3)	1	
10	278-17424-01	CIRCLIP 1	1	
11	93311-42045	BEARING (20NG3315NE)	1	
12	278-17425-00	CIRCLIP 2	1	
13	4G0-17433-01	NOZZLE	1	
14	4BR-17402-01	DRIVE AXLE ASSY	1	
15	93102-35109	OIL SEAL (SD-35-62-6 HS)	1	
16	4BR-17261-00	GEAR, 6th wheel (23T)	1	
17	4BR-17231-00	GEAR, 3rd wheel (28T)	1	
18	4BR-17241-00	GEAR, 4th wheel (29T)	1	
19	90209-22191	WASHER	1	
20	93440-25084	CIRCLIP	1	
21	4BR-17251-01	GEAR, 5th wheel (21T)	1	
22	4BR-17211-00	GEAR, 1st wheel (41T)	1	
23	4BR-17460-00	SPROCKET, drive (16T)	1	
24	90215-23265	WASHER, lock	1	
25	90179-18552	NUT	1	
26	278-17424-01	CIRCLIP 1	1	
27	90201-20276	WASHER, plate (1.0T)	1	
28	93311-42045	BEARING (20NG3315NE)	1	

C11

FIG. 16 TRANSMISSION

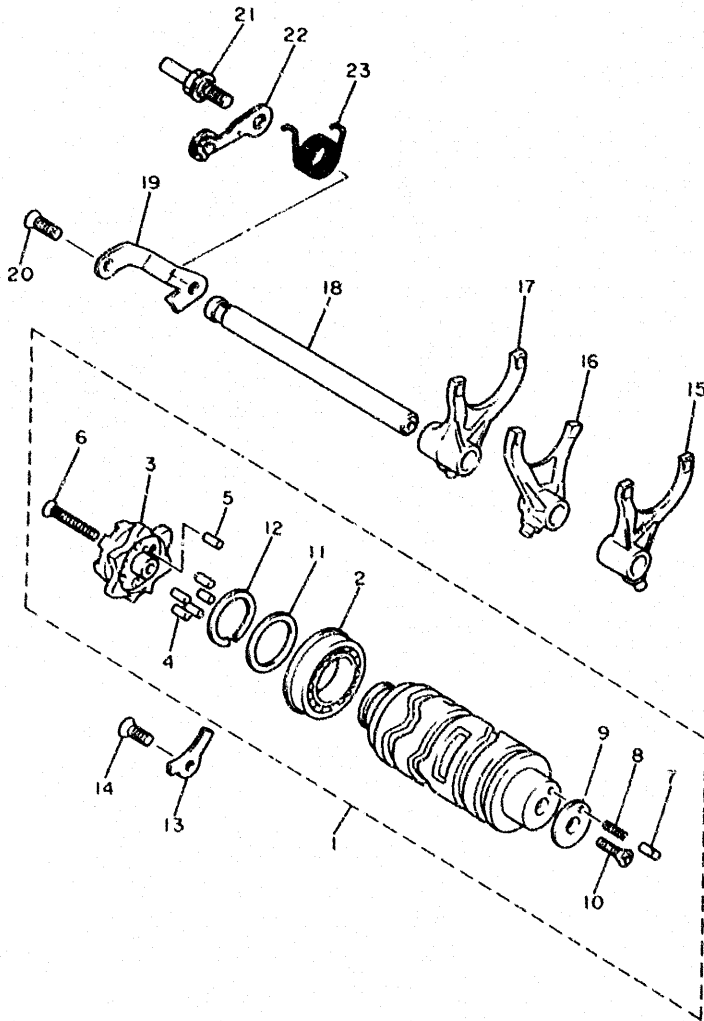


REF. NO.	PART NO.	DESCRIPTION	Q'TY	REMARKS
29	278-17425-00	CIRCLIP 2	1	
30	4G0-17433-01	NOZZLE	1	

48P010-1160

**C12**

FIG. 17 SHIFT CAM • FORK



REF. NO.	PART NO.	DESCRIPTION	Q'TY	REMARKS
1	4BR-18540-01	SHIFT CAM ASSY	1	
2	93306-90503	•BEARING	1	
3	4BR-18185-00	•SEGMENT	1	
4	93604-12037	•PIN, dowel	5	
5	93604-10011	•PIN, dowel	1	
6	90151-06013	•SCREW, countersunk	1	
7	278-18542-00	•4POINT, neutral	1	
8	90501-06022	•SPRING, compression	1	
9	278-18566-00	•PLATE, side 2	1	
10	98707-05016	•SCREW, flat head	1	
11	117-15644-00	•SHIM	1	
12	93440-25084	•CIRCLIP	1	
13	49A-15383-00	PLATE, bearing cover	1	
14	98707-06016	SCREW, flat head	1	
15	4BR-18511-00	FORK, shift 1	1	
16	4BR-18512-00	FORK, shift 2	1	
17	4BR-18513-00	FORK, shift 3	1	
18	4BR-18531-00	BAR, shift fork guide 1	1	
19	4BR-18536-00	STOPPER, shift bar	1	
20	98707-06016	SCREW, flat head	1	
21	4BR-18127-00	STOPPER, screw	1	
22	4BR-18140-00	STOPPER LEVER ASSY	1	
23	90508-241A9	SPRING, torsion	1	

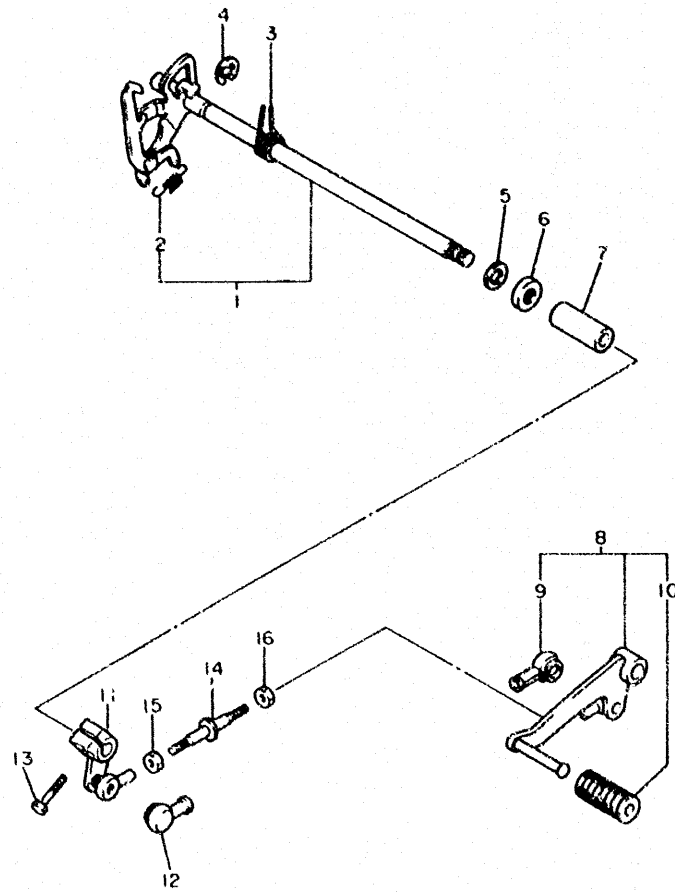


4BP010-1170

C13



FIG. 18 SHIFTER

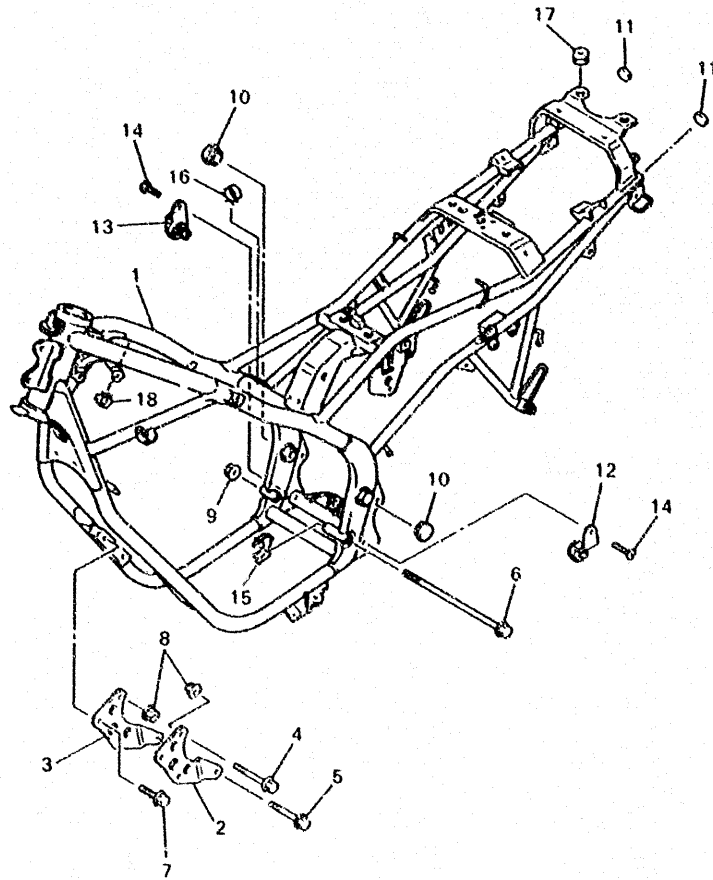


48P010-1180

REF. NO.	PART NO.	DESCRIPTION	Q'TY	REMARKS
1	4BR-18120-00	SHIFT LEVER ASSY	1	
2	93506-08227	•SPRING, tension	1	
3	90508-292A0	SPRING, torsion	1	
4	99006-10600	CIRCLIP	1	
5	90201-127J6	WASHER, plate	1	
6	93102-12106	OIL SEAL (SD 12-22-5 HS)	1	
7	90560-12211	SPACER	1	
8	4BR-18110-00	SHIFT PEDAL ASSY	1	
9	2H9-18154-00	•COVER, dust	1	
10	132-18113-01	•COVER, shift pedal	1	
11	4BR-18112-00	ARM, shift	1	
12	2H9-18154-00	COVER, dust	1	
13	97027-06070	BOLT	1	
14	25H-18115-00	ROD, shift	1	
15	95304-06700	NUT	1	
16	90170-06228	NUT(COUNTER CLOCKWISE)	1	

C14

FIG. 19 FRAME



REF. NO.	PART NO.	DESCRIPTION	Q'TY	REMARKS
1	4EB-21110-00-FE	FRAME COMP.	1	UR MATURE RED
	4EB-21110-00-P0	FRAME COMP.	1	UR VERY DARK BLUE METALLIC 3
2	4BP-21315-00	STAY, engine 2	1	
3	4BP-21316-00	STAY, engine 3	1	
4	90105-10788	BOLT, washer based	2	
5	95824-10050	BOLT, washer based	2	
6	90105-12787	BOLT, washer based	1	
7	95824-10016	BOLT, flange	4	
8	90179-10658	NUT	4	
9	90179-12657	NUT	1	
10	3SX-2135F-00	COVER	2	
11	3YJ-24481-00	PLUG	2	
12	4BP-21445-01	STAY, muffler 1	1	
13	4BP-21446-01	STAY, muffler 2	1	
14	90157-08117	SCREW, pan head	2	
15	90214-12070	WASHER, claw	1	
16	90464-25217	CLAMP	1	
17	90480-14323	GROMMET	2	
18	90464-15192	CLAMP	1	



4BR351-6190

**C15**

# CONTENTS

## GENERAL SPEC.

### ENGINE

Cylinder Head .....	B2
Cylinder .....	B3
Crankshaft · Piston .....	B4
Valve .....	B5 ~ B6
Camshaft · Chain .....	B7
Oil Pump .....	B8
Oil Cooler .....	B9
Oil Cleaner .....	B10
Intake .....	B11 ~ B12
Carburetor .....	B13 ~ B15
Exhaust .....	C2
Crankcase .....	C3 ~ C5
Crankcase Cover 1 .....	C6 ~ C7
Starter Clutch .....	C8
Clutch .....	C9 ~ C10
Transmission .....	C11 ~ C12
Shift Cam · Fork .....	C13
Shifter .....	C14

### CHASSIS

Frame .....	C15
Fender .....	D2 ~ D3
Side Cover .....	D4
Rear Arm .....	D5
Rear Suspension .....	D6
Steering .....	D7
Front Fork .....	D8 ~ D9
Fuel Tank .....	D10 ~ D11

Seat .....	D12
Front Wheel .....	D13
Front Brake Caliper .....	D14
Rear Wheel .....	D15 ~ E2
Rear Brake Caliper .....	E3
Steering Handle · Cable .....	E4
Front Master Cylinder .....	E5
Stand · Footrest .....	E6 ~ E7
Rear Master Cylinder .....	E8
Cowling 1 .....	E9
Generator .....	E10
Pick Up Coil · Governor .....	E11
Starting Motor .....	E12
Flasher Light .....	E13
Meter .....	E14
Headlight .....	E15
Taillight .....	F2
Handle Switch · Lever .....	F3
Electrical 1 .....	F4
Electrical 2 .....	F5

### INDIVIDUAL SPEC.

#### FOR ENGLAND

Alternate (Electrical) .....	F7
------------------------------	----

#### FOR SWEDEN

Alternate (Engine) .....	F9
--------------------------	----

## FOR SWITZERLAND, AUSTRIA

Alternate (Engine) .....	F11
Alternate (Chassis) .....	F12

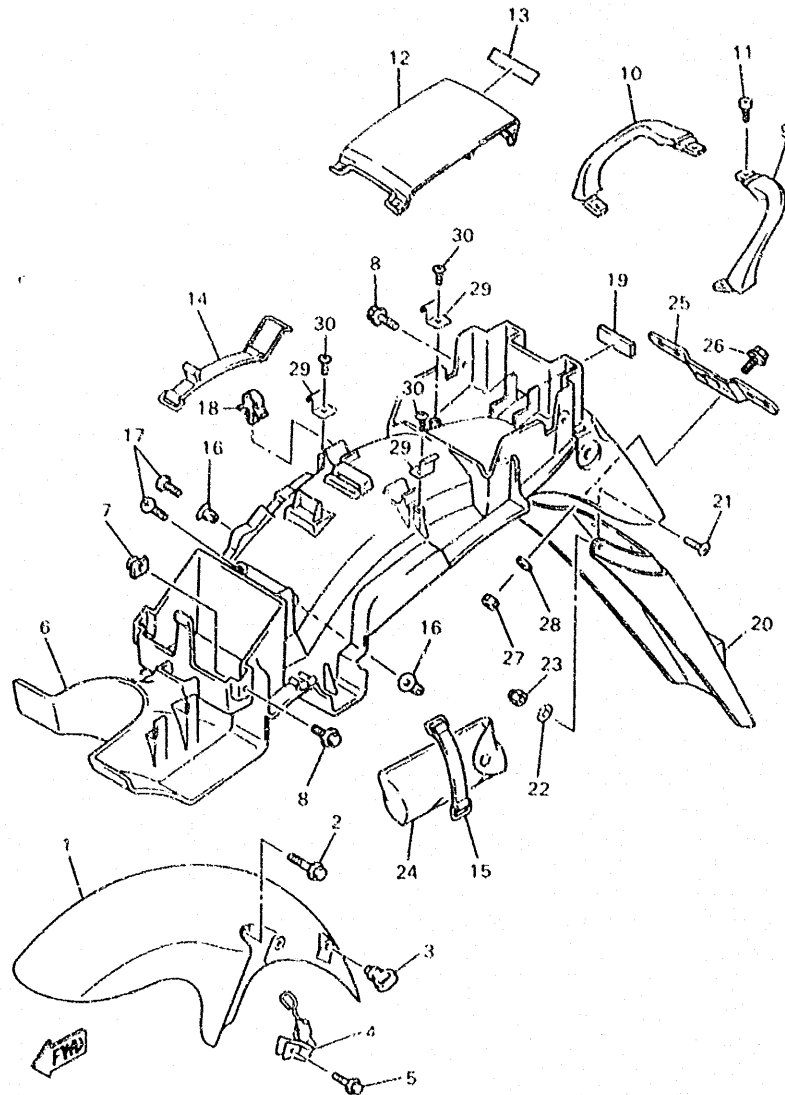
### INDEX (GENERAL SPEC.)

NUMERICAL INDEX .....	K2 ~ K5
-----------------------	---------

### INDEX (INDIVIDUAL SPEC.)

NUMERICAL INDEX .....	L2
-----------------------	----

FIG. 20 FENDER

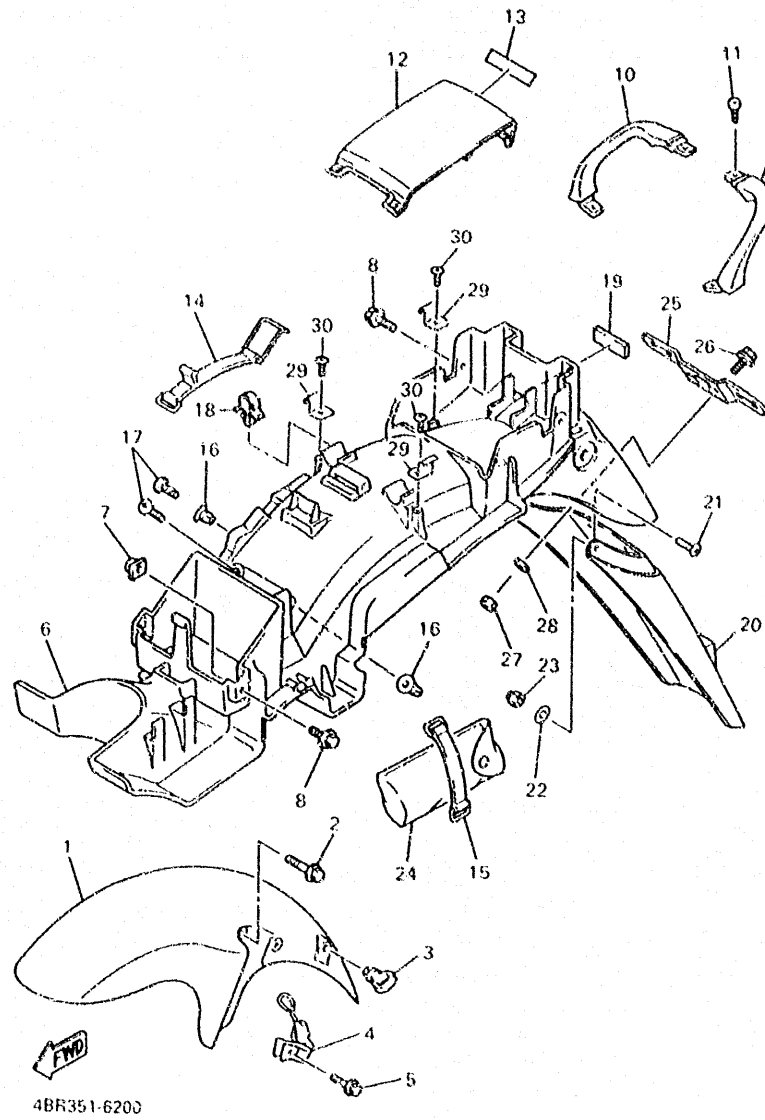


4BR351-6200

REF. NO.	PART NO.	DESCRIPTION	Q'TY	REMARKS
1	4BP-21510-00-FE	FRONT FENDER COMP.	1	UR MATURE RED
	4BP-21510-00-P1	FRONT FENDER COMP.	1	UR VERY DARK BLUE METALLIC 3
2	95024-06016	BOLT	4	
3	1A8-21518-00	HOLDER, cable	1	
4	4BP-26875-01	HOLDER, brake hose 1	1	
5	95024-06025	BOLT	1	
6	4BP-21611-01	FENDER, rear	1	
7	31A-14477-00	PLATE	2	
8	90119-06044	BOLT, with washer	4	
9	4BP-21644-00	STAY, rear	1	
10	4BP-21645-00	STAY, rear	1	
11	90109-060E9	BOLT	4	
12	4EB-21651-00-FE	COVER, rear fender	1	UR MATURE RED
	4EB-21651-00-P0	COVER, rear fender	1	UR VERY DARK BLUE METALLIC 3
13	99237-00080	EMBLEM, yamaha	1	
14	4BP-82131-00	BAND, battery	1	
15	120-82131-00	BAND, battery	1	
16	90338-08226	PLUG	4	
17	97707-60916	SCREW, tapping	4	
18	90464-15157	CLAMP	1	
19	3FC-2139R-00	COVER 2	1	
20	4BR-21621-00	FLAP	1	
21	90150-04041	SCREW, round head	4	
22	90201-04018	WASHER, plate	4	
23	95607-04100	NUT, u	4	
24	1HX-28100-01	TOOL KIT		
25	3YF-84751-00	BRACKET, license	1	
26	95027-06016	BOLT, flange	2	

D2

FIG. 20 FENDER

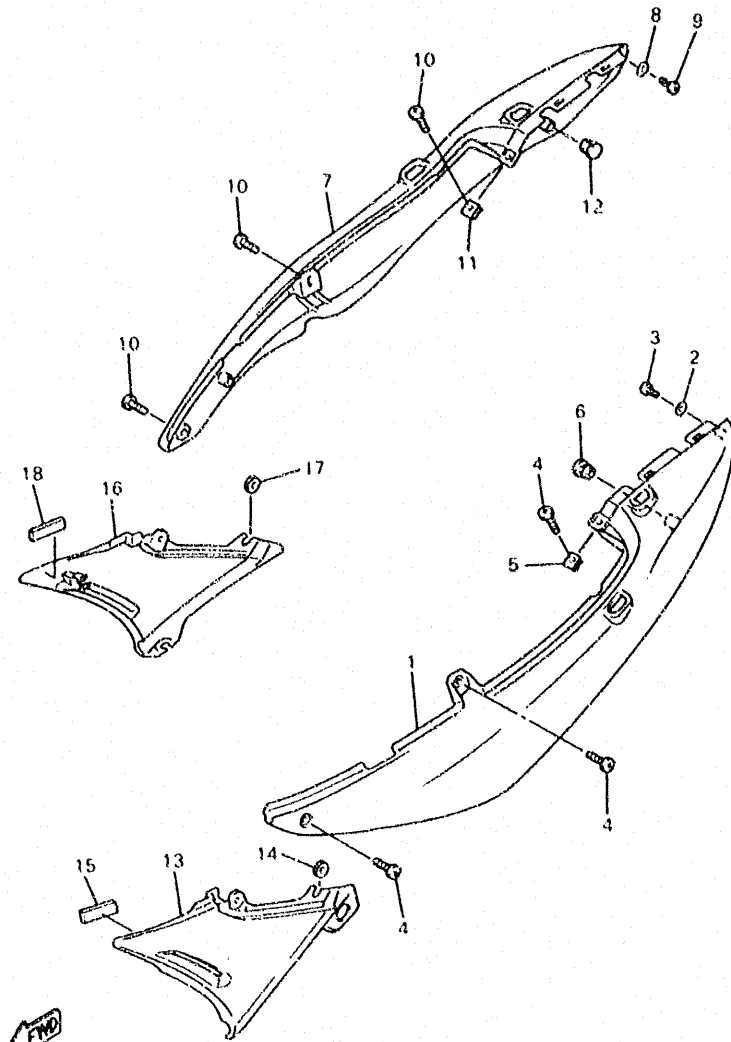


REF. NO.	PART NO.	DESCRIPTION	Q'TY	REMARKS
27	95607-06100	NUT, u	2	
28	90201-065F3	WASHER, plate	2	
29	36F-28379 00	HOOK	4	
30	97707-40310	SCREW, tapping	4	

4BR351-6200

**D3**

FIG. 21 SIDE COVER

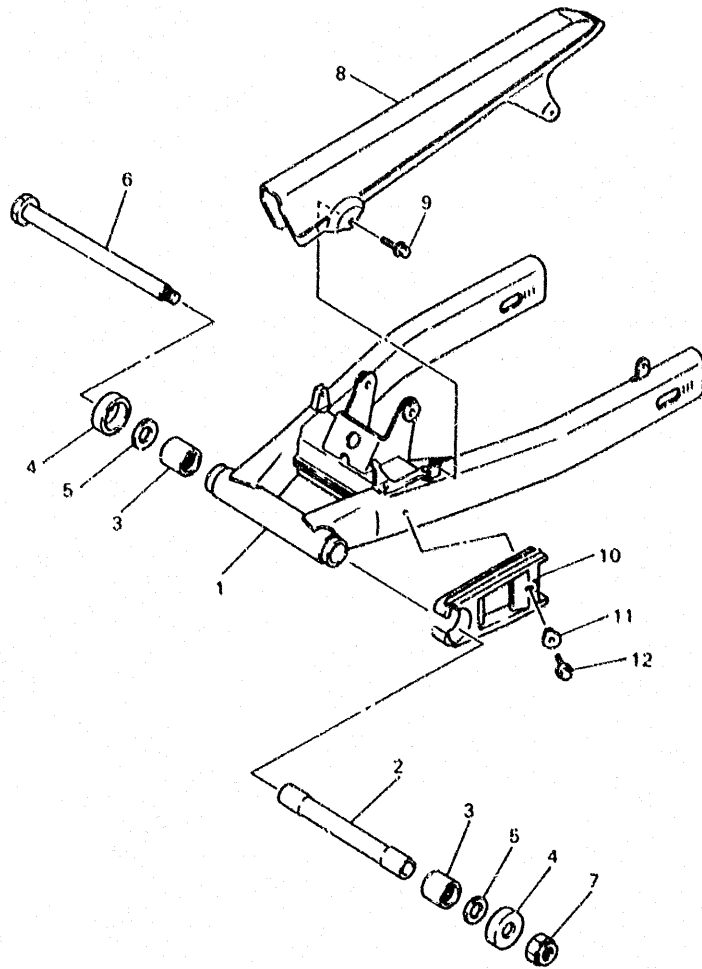


4BR351-6210

REF. NO.	PART NO.	DESCRIPTION	Q'TY	REMARKS
1	4EB-21711-00-FE	COVER, side 1	1	UR MATURE RED
	4EB-21711-00-P0	COVER, side 1	1	UR VERY DARK BLUE MATALLIC 3
2	92907-04200	WASHER	1	
3	97707-40010	SCREW, tapping	1	
4	90154-05059	SCREW, binding	3	
5	90183-05024	NUT, spring	1	
6	90338-10132	PLUG	1	
7	4EB-21721-00-FE	COVER, side 2	1	UR MATURE RED
	4EB-21721-00-P0	COVER, side 2	1	UR VERY DARK BLUE MATALLIC 3
8	92907-04200	WASHER	1	
9	97707-40010	SCREW, tapping	1	
10	90154-05059	SCREW, binding	3	
11	90183-05024	NUT, spring	1	
12	90338-10132	PLUG	1	
13	4EB-2171E-00	COVER, side 5	1	
14	90480-12320	GROMMET	2	
15	8U9-77162-00	STRIP, weather 2	1	
16	4EB-2171X-00	COVER, side 6	1	
17	90480-12320	GROMMET	2	
18	8U9-77162-00	STRIP, weather 2	1	

D4

FIG. 22 REAR ARM



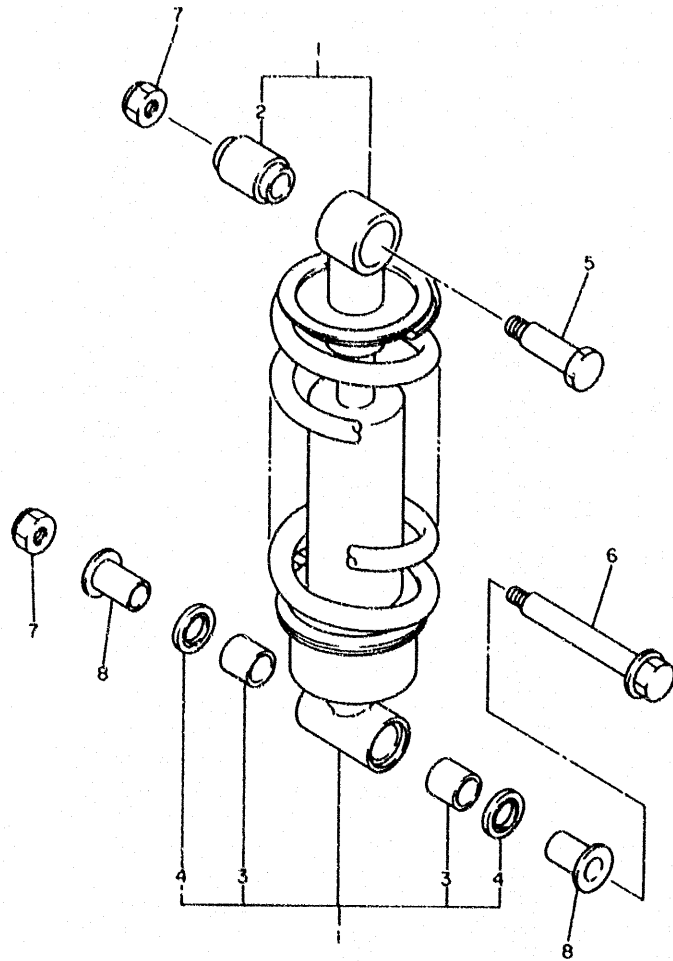
REF. NO.	PART NO.	DESCRIPTION	Q'TY	REMARKS
1	4BR-22110-01-WL	REAR ARM COMP.	1	STARDUST SILVER
2	33M-22184-00	BUSH	1	
3	93320-32403	BEARING	2	
4	4X7-22129-00	COVER, thrust 2	2	
5	90201-161J3	WASHER, plate	2	
6	3LN-22141-60	SHAFT, pivot	1	
7	90185-14070	NUT, self-locking	1	
8	1KT-22311-00	CASE, chain	1	
9	90119-06044	BOLT, with washer	2	
10	3YX-22151-00	SEAL, guard	1	
11	90387-083Y8	COLLAR	1	
12	95807-06016	BOLT, flange	1	



4BR251-5220

**D5**

FIG. 23 REAR SUSPENSION



REF. NO.	PART NO.	DESCRIPTION	Q'TY	REMARKS
1	4BR-22210-01	SHOCK ABSORBER ASSY, rear	1	
2	34L-22216-00	•BUSH, rear shock absorber	1	
3	93109-18020	•OIL SEAL	2	
4	90384-18157	•BUSH, bimetel formed	2	
5	90101-12558	BOLT	1	
6	90105-12812	BOLT, washer based	1	
7	95607-12200	NUT, self-locking	2	
8	90387-123X6	COLLAR	2	

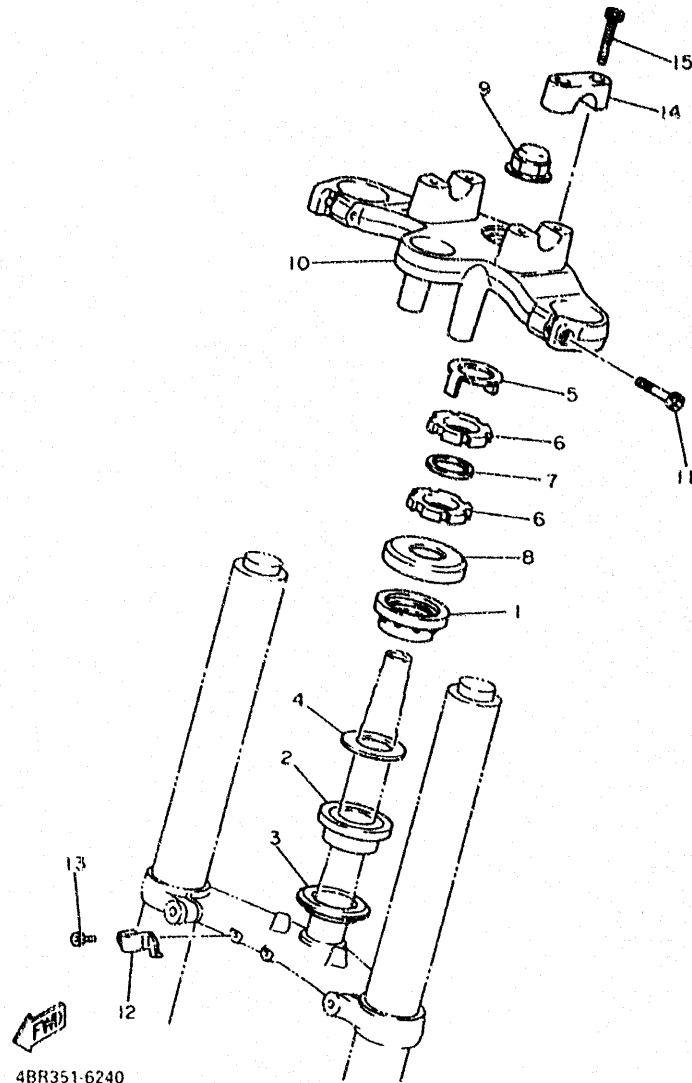


4BP010-1230

**D6**



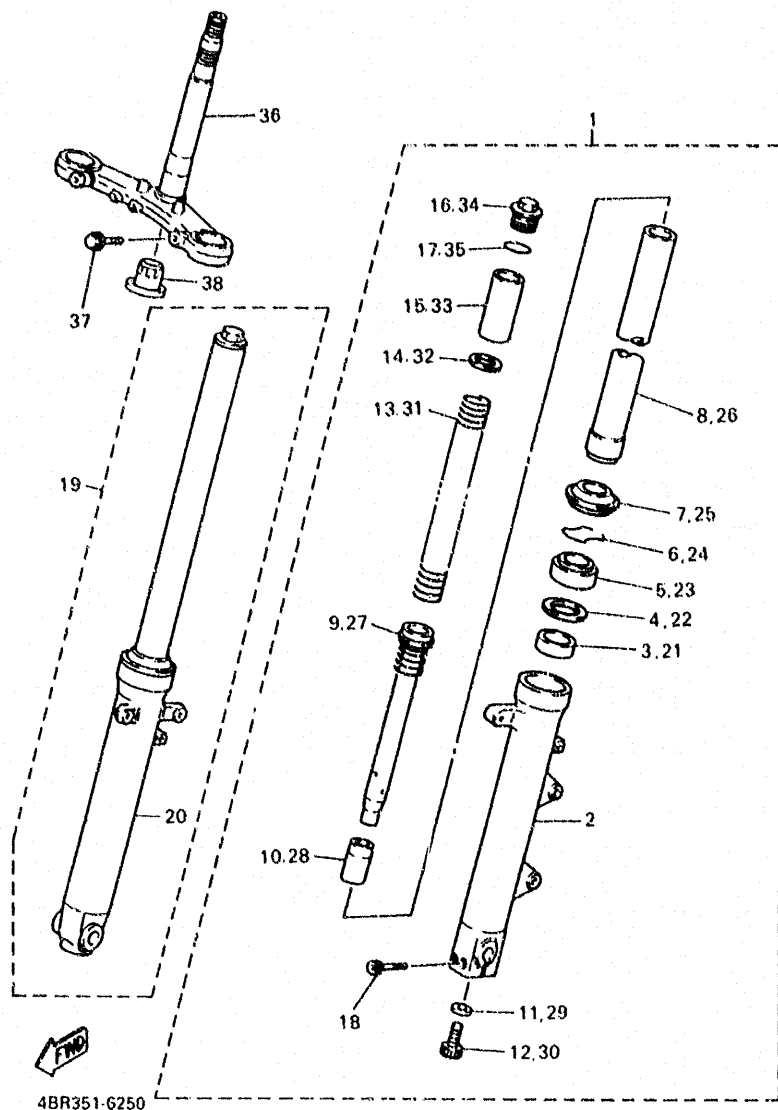
FIG. 24 STEERING



REF. NO.	PART NO.	DESCRIPTION	Q'TY	REMARKS
1	93399-99931	BEARING	1	
2	93399-99932	BEARING	1	
3	3FV-23462-00	SEAL, steering	1	
4	90202-24190	WASHER, plate	1	
5	26H-23418-01	WASHER, special	1	
6	90179-25033	NUT	2	
7	90202-26142	WASHER, plate	1	
8	3HE-23416-00	COVER, ball race 2	1	
9	90176-22050	NUT, crown	1	
10	4BP-23435-20	CROWN, handle	1	
11	91314-08030	BOLT	2	
12	4BP-25886-00	HOLDER, brake hose	1	
13	91317-06016	BOLT	1	
14	4H7-23441-00-P0	HOLDER, handle upper	2	LIGHT GRAY METALLIC 1
15	91314-08030	BOLT	4	

**D7**

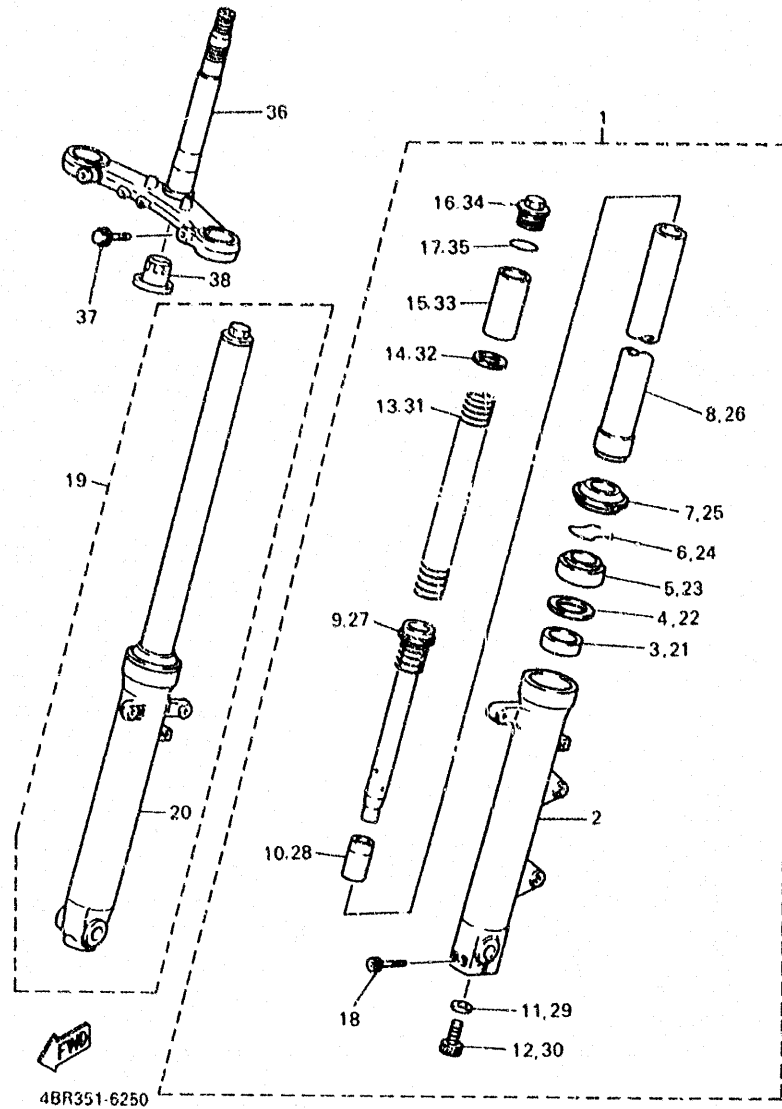
FIG. 25 FRONT FORK



REF. NO.	PART NO.	DESCRIPTION	Q'TY	REMARKS
1	4BR-23102-00	FRONT FORK ASSY (L.H)	1	
2	4BP-23126-00	•TUBE, outer 1	1	
3	3YX-23126-00	•METAL, slide 1	1	
4	4V2-23146-L0	•WASHER, oil seal	1	
5	3EN-23145-00	•OIL SEAL	1	
6	3R4-23153-00	•RING, snap	1	
7	3EN-23144-01	•SEAL, dust	1	
8	3YX-23110-00	•INNER TUBE COMP.1	1	
9	4BR-23170-30	•CYLINDER COMP, front fork	1	
10	2YK-23173-00	•SPINDLE, taper	1	
11	509-23158-L0	•GASKET	1	
12	278-23181-50	•BOLT, hexagon socket head	1	
13	4BP-23141-00	•SPRING, front fork	1	
14	4DN-23149-40	•WASHER, spring upper	1	
15	26H-23118-00	•SPACER	1	
16	3EN-23111-00	•BOLT, cap	1	
17	1W4-23114-L0	•GASKET	1	
18	91314-08035	•BOLT	2	
19	4BR-23103-00	FRONT FORK ASSY (R.H)	1	
20	4BP-23136-00	•TUBE, outer 2	1	
21	3YX-23125-00	•METAL, slide 1	1	
22	4V2-23146-L0	•WASHER, oil seal	1	
23	3EN-23145-00	•OIL SEAL	1	
24	3R4-23153-00	•RING, snap	1	
25	3EN-23144-01	•SEAL, dust	1	
26	3YX-23110-00	•INNER TUBE COMP.1	1	
27	4BR-23170-00	•CYLINDER COMP, front fork	1	
28	2YK-23173-00	•SPINDLE, taper	1	

D8

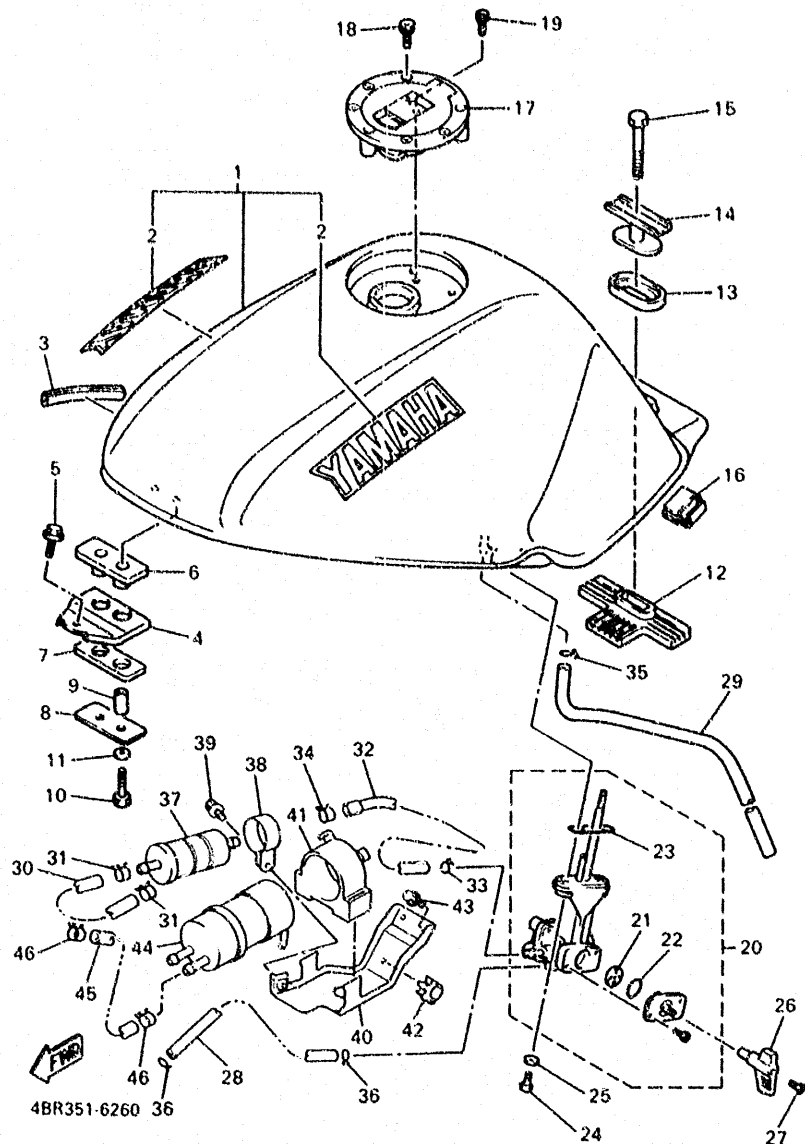
FIG. 25 FRONT FORK



REF. NO.	PART NO.	DESCRIPTION	Q'TY	REMARKS
29	509-23158-L0	.GASKET	1	
30	278-23181-50	.BOLT, hexagon socket head	1	
31	4BP-23141-00	.SPRING, front fork	1	
32	4DN-23149-40	.WASHER, spring upper	1	
33	26H-23118-00	.SPACER	1	
34	3EN-23111-00	.BOLT, cap	1	
35	1W4-23114-L0	.GASKET	1	
36	4BP-23340-00	UNDER BRACKET COMP.	1	
37	4EB-23356-00	BOLT 2	2	
38	4KM-23123-01	COVER, lower 1	1	

D9

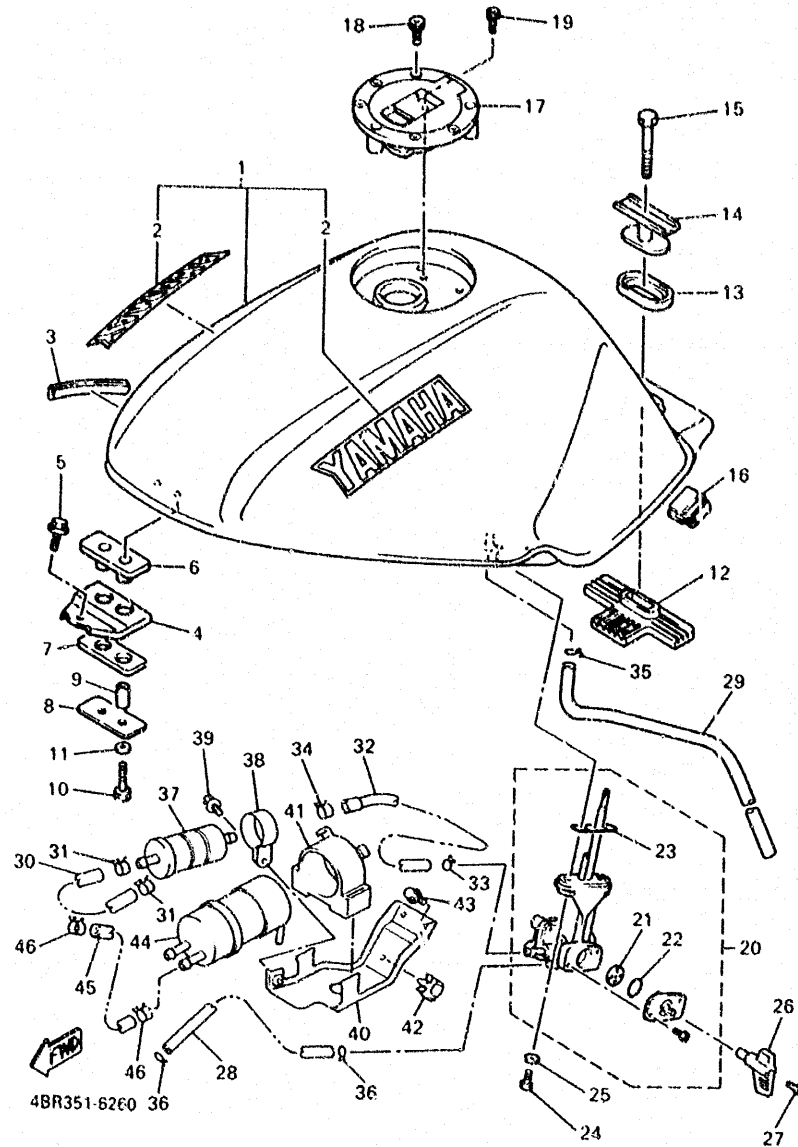
FIG. 26 FUEL TANK



REF. NO.	PART NO.	DESCRIPTION	Q'TY	REMARKS
1	4BP-24110-01-X6	FUEL TANK COMP.	1	UR VERY DARK BLUE METALLIC 3 UR MATURE RED
	4BP-24110-01-X7	FUEL TANK COMP.	1	
2	99227-00140	EMBLEM, yamaha	2	
3	4BP-24188-00	MOLD, fuel tank	1	
4	4BP-24191-00	BRACKET, fuel tank 1	1	
5	90119-06213	BOLT, with washer	1	
6	2GH-24181-00	DAMPER, locating 1	1	
7	2GH-24183-00	DAMPER, locating 3	1	
8	2GH-24186-00	WASHER, special	1	
9	90387-06299	COLLAR	2	
10	97007-06025	BOLT	2	
11	92907-06600	WASHER, plate	2	
12	4BP-24182-00	DAMPER, locating 2	1	
13	3Y6-24183-00	DAMPER, locating 3	1	
14	4BP-24186-00	WASHER, special	1	
15	97007-08055	BOLT	1	
16	4JH-24183-00	DAMPER, locating 3	2	
17	4FM-24602-00	CAP ASSY	1	
18	90110-05112	BOLT, hexagon socket head	3	
19	91317-05010	BOLT	1	
20	4BP-24500-00	FUEL COCK ASSY 1	1	
21	3AJ-24523-00	VALVE	1	
22	3AJ-24534-00	SEAL, cock	1	
23	4X8-24512-00	O-RING	1	
24	90149-06008	SCREW	2	
25	90202-05193	WASHER, plate	2	
26	3HE-24524-00	LEVER, cock	1	
27	98707-04018	SCREW, flat head	1	

D10

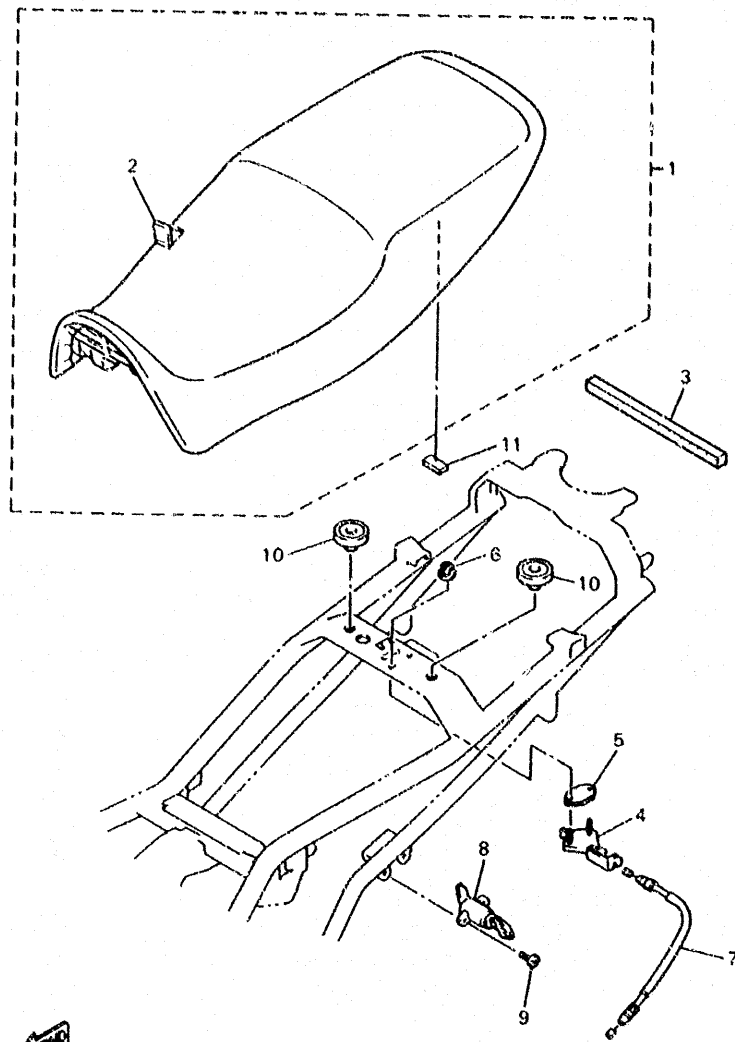
FIG. 26 FUEL TANK



REF. NO.	PART NO.	DESCRIPTION	Q'TY	REMARKS
28	90445-09683	HOSE	1	
29	90445-103E6	HOSE	1	
30	4EB-24313-00	PIPE 3	1	
31	90467-11044	CLIP	2	
32	4EB-24311-00	PIPE, fuel 1	1	
33	90467-10008	CLIP	1	
34	90467-11044	CLIP	1	
35	90467-09006	CLIP	1	
36	90467-08021	CLIP	2	
37	1FK-24560-00	FILTER ASSY	1	
38	4BR-24366-00	CLAMP, fuel pipe 1	1	
39	95817-06010	BOLT, flange	1	
40	4EB-24216-00	STAY	1	
41	4EB-24398-00	BAND 1	1	
42	90464-18205	CLAMP	1	
43	95027-06014	BOLT, flange	2	
44	3YX-13907-01	FUEL PUMP COMP.	1	
45	90445-144J8	HOSE	1	
46	90467-13123	CLIP	2	

**D11**

FIG. 27 SEAT



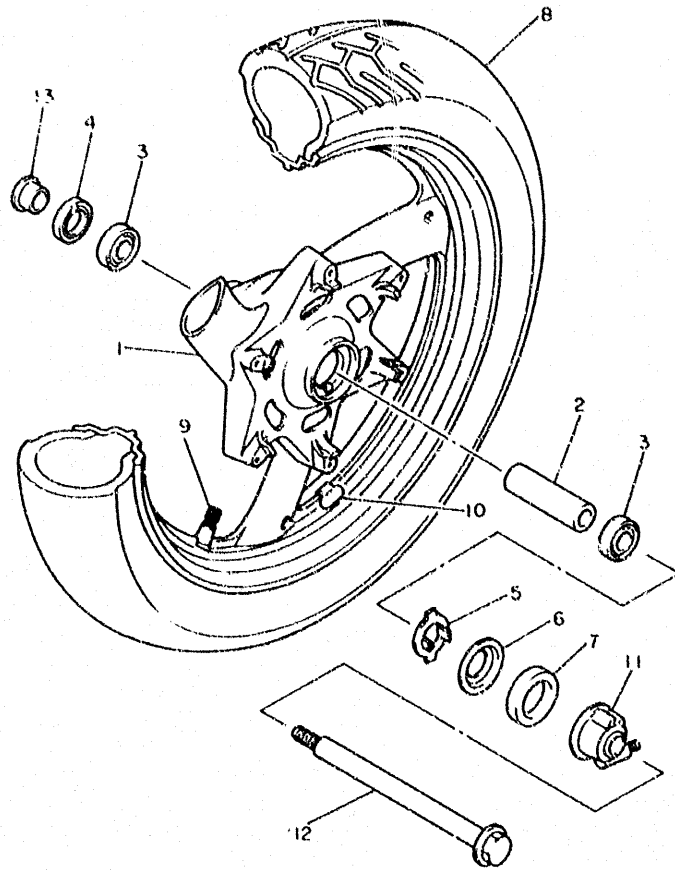
REF. NO.	PART NO.	DESCRIPTION	Q'TY	REMARKS
1	4EB-24730-00	DOUBLE SEAT ASSY	1	YAMAHA BLACK
2	4BR-24731-10	COVER, seat	1	YAMAHA BLACK
3	4BP-24737-00	DAMPER, seat	1	
4	4BP-24780-00	SEAT LOCK ASSY	1	
5	4BP-24792-00	PLATE	1	
6	95707-06500	NUT, flange	2	
7	4EB-2478E-00	WIRE, seat hook	1	
8	3CK-W2470-00	SEAT LOCK ASSY	1	
9	90149-06228	SCREW	2	
10	22W-24741-00	PAD, seat	2	
11	3XV-21717-00	DAMPER	2	



4BR351-6270

D12

FIG. 28 FRONT WHEEL



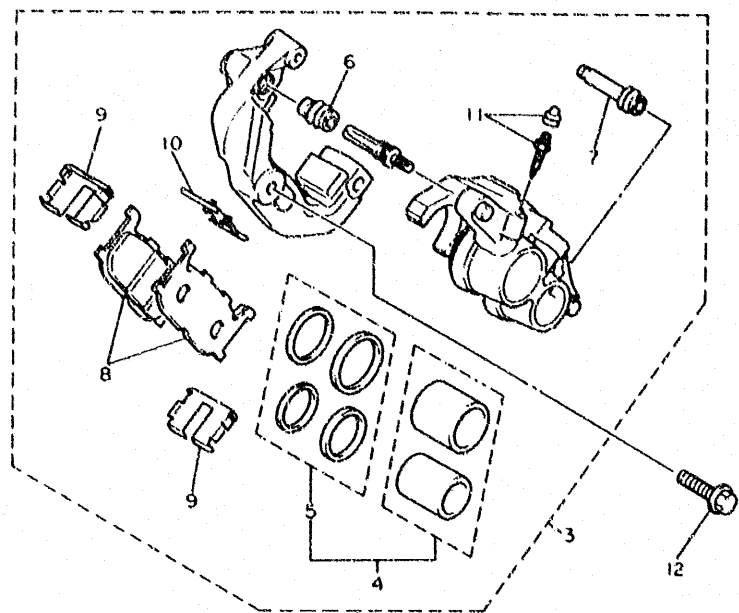
REF. NO.	PART NO.	DESCRIPTION	Q'TY	REMARKS
1	4BP-25168-00-WN	CAST WHEEL, front	1	CIRCUIT SILVER
2	90560-17241	SPACER	1	
3	93306-20310	BEARING (B6203DU)	2	
4	93102-25017	OIL SEAL	1	
5	341-25149-00	CLUTCH, meter	1	
6	341-25846-00	RETAINER, clutch	1	
7	93105-45017	OIL SEAL	1	
8	94111-1707Y	TIRE (110/80-17 57H D103FA)	1	UR DUNLOP
	94111-1709E	TIRE (110/80-17 57H MACADAM 50)	1	UR MICHELIN
9	93900-00030	VALVE, rim	1	
10	29L-25398-00	BALANCER, wheel (10G)	1	UR
	29L-25398-10	BALANCER, wheel (20G)	1	UR
	29L-25398-20	BALANCER, wheel (30G)	1	UR
11	4KG-25190-01	GEAR UNIT ASSY	1	
12	3GM-25181-01	AXLE, wheel	1	
13	90337-177Y4	COLLAR	1	



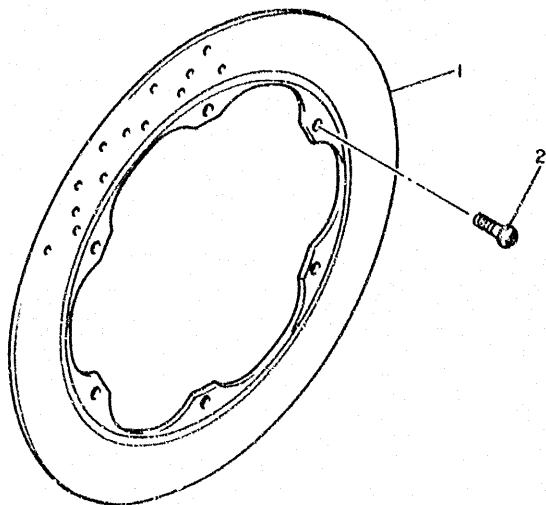
4BP010-1280

**D13**

FIG. 29 FRONT BRAKE CALIPER



REF. NO.	PART NO.	DESCRIPTION	Q'TY	REMARKS
1	4BP-2582T-00	DISC, brake	1	
2	90109-083G4	BOLT	6	
3	4BP-2580T-00	CALIPER ASSY (LEFT)	1	
4	3YX-W0057-50	PISTON ASSY, caliper	1	
5	3JB-W0047-00	CALIPER SEAL KIT	1	
6	5R2-25937-00	BOOT 2	1	
7	3YX-25937-00	BOOT 2	1	
8	4BP-W0045-00	BRAKE PAD KIT	1	
9	4BP-25919-00	SUPPORT, pad	2	
10	3YX-25929-00	SPRING, anti rattle	1	
11	511-W0048-00	BREED SCREW KIT	1	
12	90105-10638	BOLT, washer based	2	

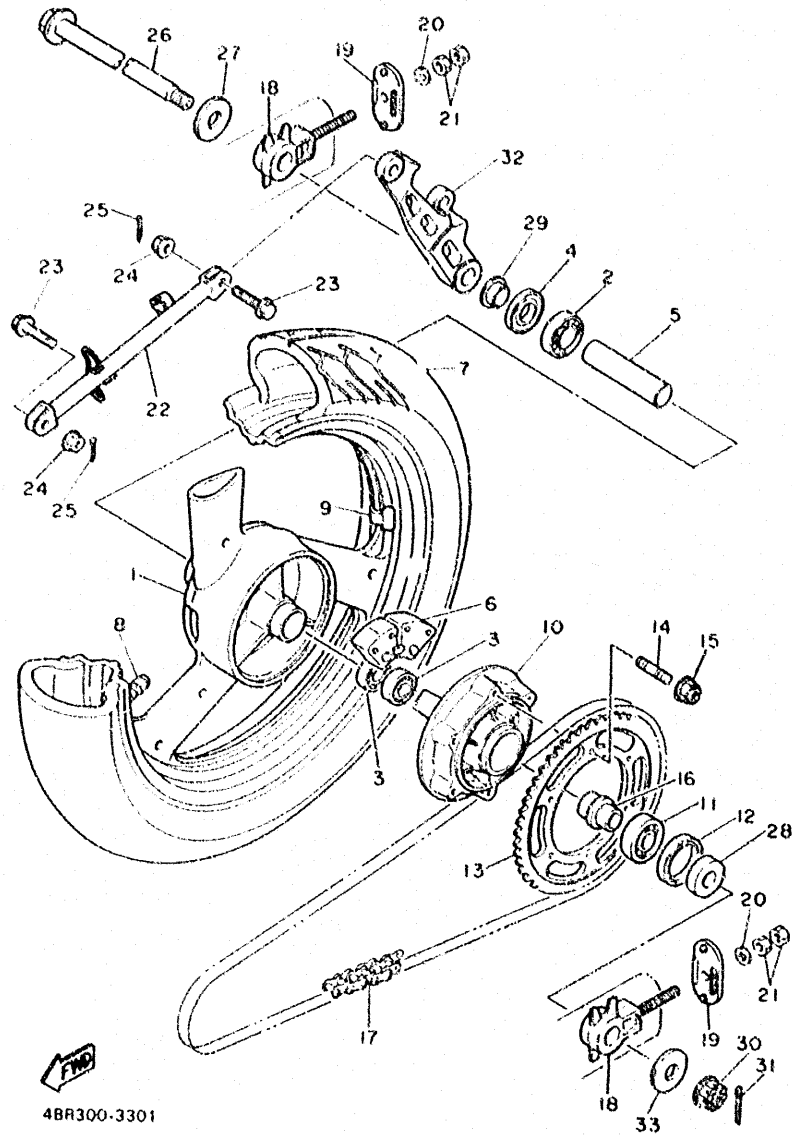


4BP010-1290

**D14**



FIG. 30 REAR WHEEL



4BR300-3301

REF. NO.	PART NO.	DESCRIPTION	Q'TY	REMARKS
1	3HE-25338-00-WN	CAST WHEEL, rear	1	CIRCUIT SILVER
2	93306 30306	BEARING (B6303)	1	
3	93306-20314	BEARING (B6203)	2	
4	93102 25044	OIL SEAL	1	
5	90387 174VB	COLLAR	1	
6	4BP-25364-00	DAMPER	3	
7	94113-1607X	TIRE (130/70-18 63H D103A)	1	UR DUNLOP
	94113-1809F	TIRE (130/70-18 63H MACADAM 50)	1	UR MICHELIN
8	93900-00030	VALVE, rim	1	
9	29L-25398-00	BALANCER, wheel (10G)	1	UR
	29L-25398-10	BALANCER, wheel (20G)	1	UR
	29L-25398-20	BALANCER, wheel (30G)	1	UR
10	4BP-25366-00	CLUTCH, hub	1	
11	93306-37207	BEARING	1	
12	93105-42024	OIL SEAL	1	
13	4BP-25448-20	SPROCKET, driven (48T)	1	
14	90116-10485	BOLT, stud	6	
15	95607-10200	NUT, self-locking	6	
16	90387-177K0	COLLAR	1	
17	94581-30110	CHAIN (DID520VL2-110LE)	1	
18	4BP-25388-00	PULLER, chain 1	2	
19	3YX-22174-00	END 1	2	
20	92990-08600	WASHER, plate	2	
21	95380-08600	NUT	4	
22	4BR-25371-01	BAR, tension	1	
23	90105-08777	BOLT, washer based	2	
24	95704-08500	NUT, flange	2	
25	91401-20015	PIN, cotter	2	

D15

# CONTENTS

## GENERAL SPEC.

### ENGINE

Cylinder Head .....	B2
Cylinder .....	B3
Crankshaft · Piston .....	B4
Valve .....	B5 ~ B6
Camshaft · Chain .....	B7
Oil Pump .....	B8
Oil Cooler .....	B9
Oil Cleaner .....	B10
Intake .....	B11 ~ B12
Carburetor .....	B13 ~ B15
Exhaust .....	C2
Crankcase .....	C3 ~ C5
Crankcase Cover 1 .....	C6 ~ C7
Starter Clutch .....	C8
Clutch .....	C9 ~ C10
Transmission .....	C11 ~ C12
Shift Cam · Fork .....	C13
Shifter .....	C14

### CHASSIS

Frame .....	C15
Fender .....	D2 ~ D3
Side Cover .....	D4
Rear Arm .....	D5
Rear Suspension .....	D6
Steering .....	D7
Front Fork .....	D8 ~ D9
Fuel Tank .....	D10 ~ D11

Seat .....	D12
Front Wheel .....	D13
Front Brake Caliper .....	D14
Rear Wheel .....	D15 ~ E2
Rear Brake Caliper .....	E3
Steering Handle · Cable .....	E4
Front Master Cylinder .....	E5
Stand · Footrest .....	E6 ~ E7
Rear Master Cylinder .....	E8
Cowling 1 .....	E9
Generator .....	E10
Pick Up Coil · Governor .....	E11
Starting Motor .....	E12
Flasher Light .....	E13
Meter .....	E14
Headlight .....	E15
Taillight .....	F2
Handle Switch · Lever .....	F3
Electrical 1 .....	F4
Electrical 2 .....	F5

### INDIVIDUAL SPEC.

#### FOR ENGLAND

Alternate (Electrical) .....	F7
------------------------------	----

#### FOR SWEDEN

Alternate (Engine) .....	F9
--------------------------	----

#### FOR SWITZERLAND, AUSTRIA

Alternate (Engine) .....	F11
Alternate (Chassis) .....	F12

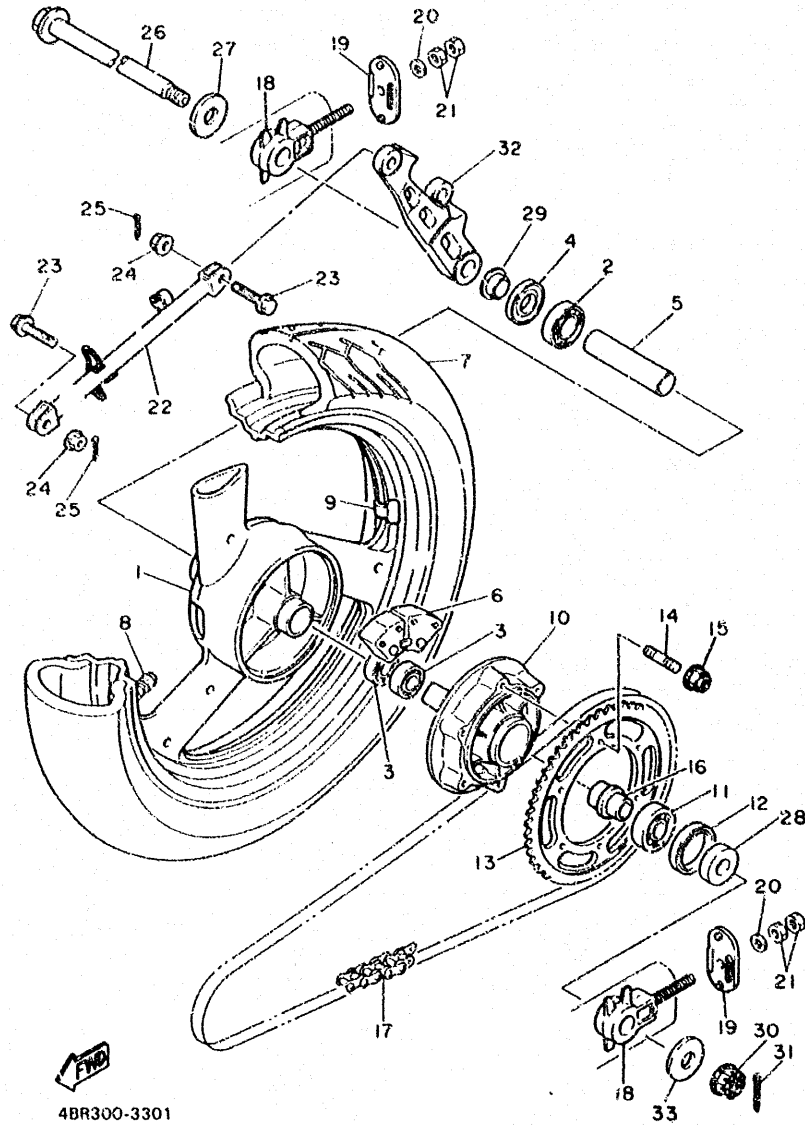
#### INDEX (GENERAL SPEC.)

NUMERICAL INDEX .....	K2 ~ K5
-----------------------	---------

#### INDEX (INDIVIDUAL SPEC.)

NUMERICAL INDEX .....	L2
-----------------------	----

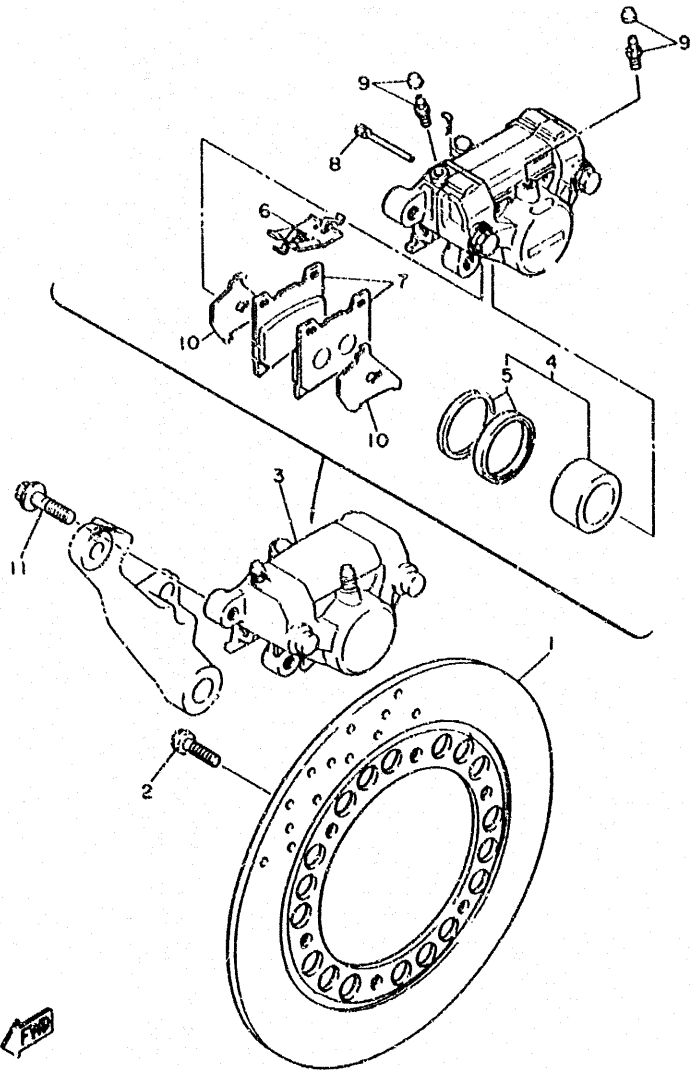
FIG. 30 REAR WHEEL



REF. NO.	PART NO.	DESCRIPTION	QTY	REMARKS
26	3HE-25381-01	AXLE, wheel	1	
27	90201-170T3	WASHER, plate	1	
28	90387-177Y5	COLLAR	1	
29	90387-173L5	COLLAR	1	
30	90171-16024	NUT, castle	1	
31	91401-30030	PIN, cotter	1	
32	3HE-25819-01	BRACKET, caliper	1	
33	90201-160T2	WASHER, plate	1	

E2

FIG. 31 REAR BRAKE CALIPER

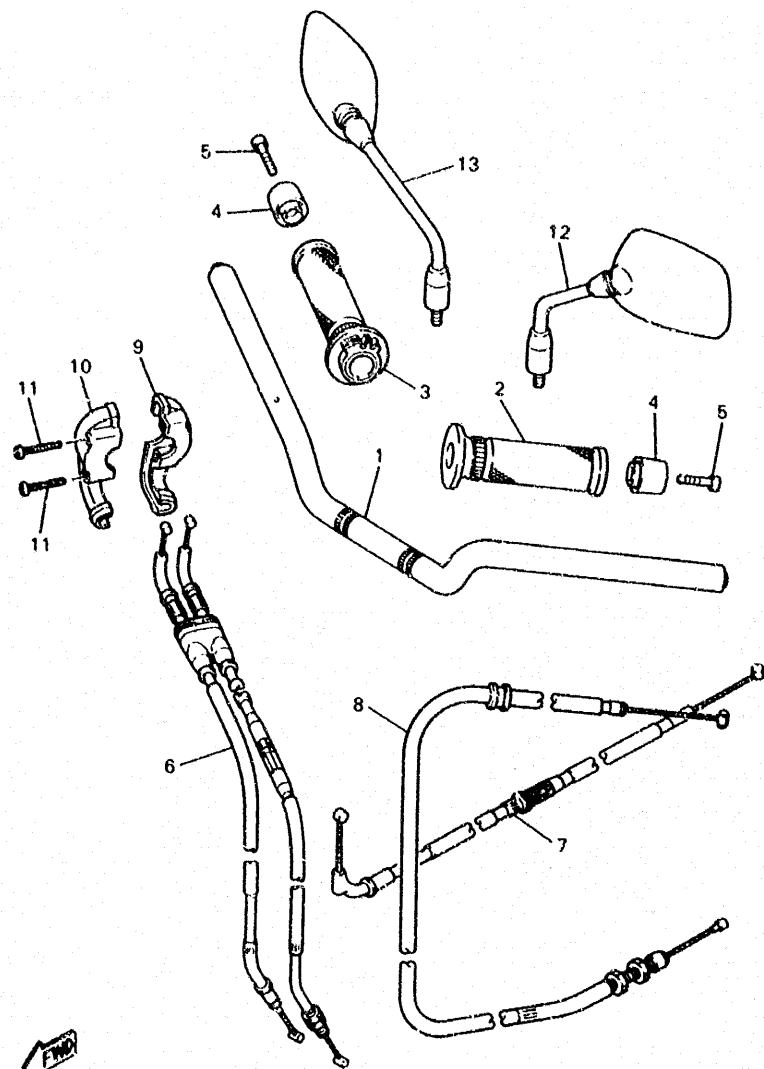


REF. NO.	PART NO.	DESCRIPTION	Q'TY	REMARKS
1	4HM-2582W-00	DISC, rear brake 2	1	
2	90109 083G4	BOLT	6	
3	4BP-2580W-00	CALIPER ASSY, rear 2	1	
4	51L-W0057-00	PISTON ASSY, caliper	1	
5	51L-W0047-11	CALIPER SEAL KIT	1	
6	3LN-25910-10	SUPPORT, pad	1	
7	51L-W0046-02	BRAKE PAD KIT, 2	1	
8	4FL-25924-00	PIN, pad	2	
9	51L-W0048-00	BREED SCREW KIT	2	
10	4BP-25827-00	SHIM, caliper	2	
11	90105-10638	BOLT, washer based	2	

4DU110-2300

**E3**

FIG. 32 STEERING HANDLE • CABLE

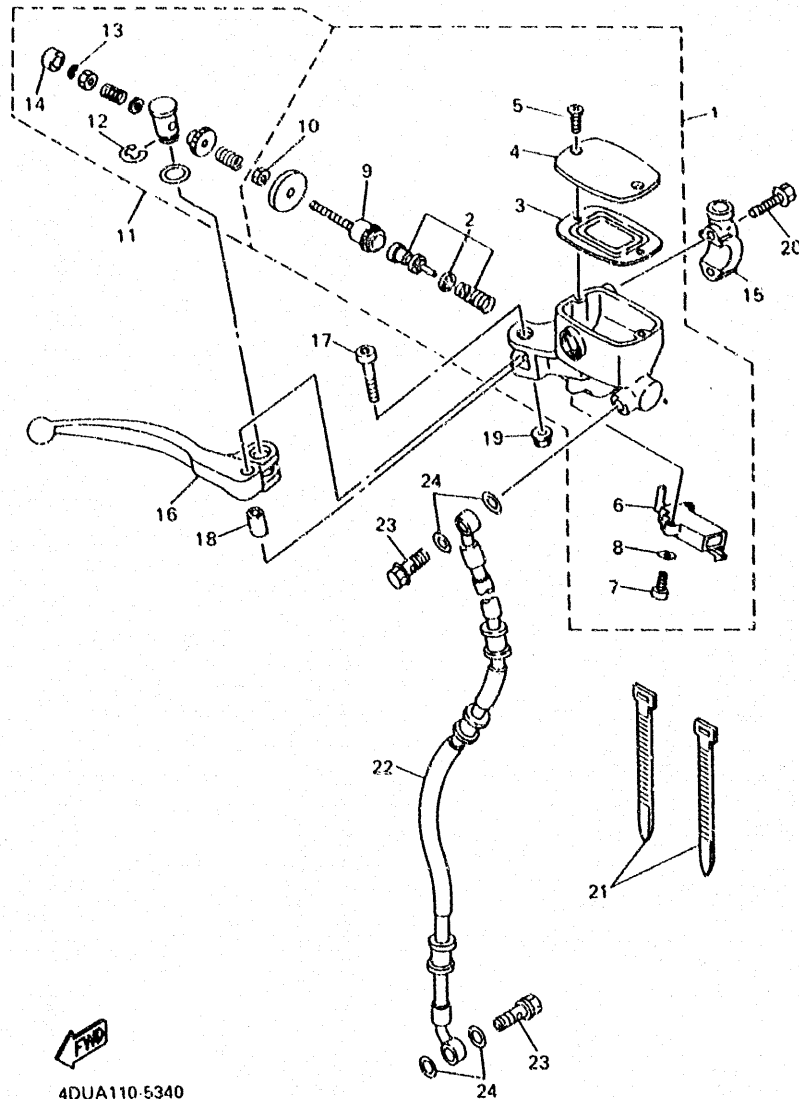


REF. NO.	PART NO.	DESCRIPTION	Q'TY	REMARKS
1	4EB-26110-00	HANDLE COMP.	1	
2	31A-26241-00	GRIP (LEFT)	1	
3	36Y-26240-00	GRIP ASSY	1	
4	4JH-26246-00	END, grip	2	
5	91317-06035	BOLT, socket head	2	
6	4EB-26302-00	THROTTLE CABLE ASSY	1	
7	4EB-26331-00	CABLE, starter 1	1	
8	4EB-26335-00	CABLE, clutch	1	
9	3XW-26281-01	CAP, grip upper	1	
10	3XW-26282-01	CAP, grip under	1	
11	98507-05035	•SCREW, pan head	2	
12	4BR-26280-00	REAR VIEW MIRROR ASSY(LEFT)	1	
13	4BR-26290-00	REAR VIEW MIRROR ASSY(RIGHT)	1	

4BR351-6320

E4

FIG. 33 FRONT MASTER CYLINDER

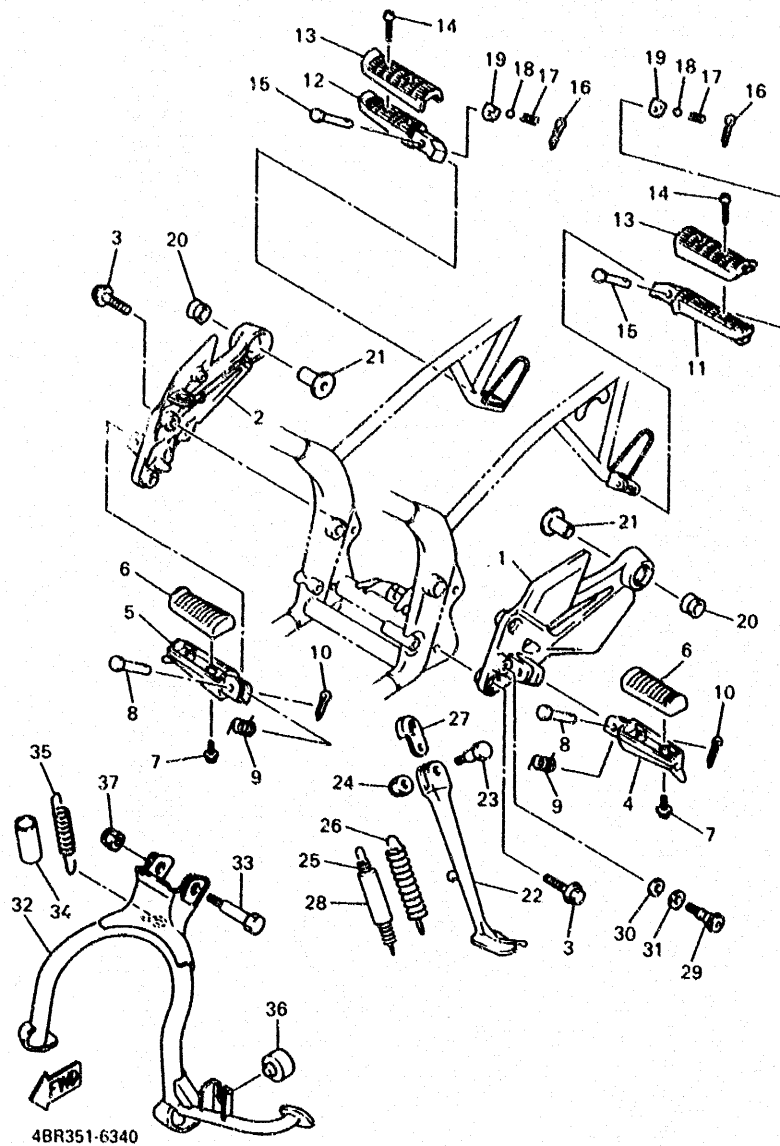


REF. NO.	PART NO.	DESCRIPTION	Q'TY	REMARKS
1	4BR-W2587-00	MASTER CYLINDER SUB ASSY	1	
2	3YX-W0041-50	.CYLINDER KIT, master	1	
3	3YX-25854-00	.DIAPHRAGM, reservoir	1	
4	3YX-25852-00	.CAP, reservoir	1	
5	98707-04012	.SCREW, flat head	2	
6	4DH-83980-00	.FRONT STOP SWITCH ASSY	1	
7	98517-04012	.SCREW, pan head	2	
8	92906-04600	.WASHER, plate	2	
9	3YX-25880-00	.PUSH ROD COMP.	1	
10	95303-06600	.NUT	1	
11	3YX-W0091-02	SCREW KIT, master cylinder	1	
12	3YX-25856-00	.CIRCLIP	1	
13	3YX-25866-10	.CIRCLIP	1	
14	3YX-2583H-00	.BOOT	1	
15	3YX-25867-00	BRACKET, master cylinder	1	
16	3YX-83922-09	LEVER 2	1	
17	3YX-2589F-00	BOLT, lever	1	
18	3YX-25838-00	SLEEVE, caliper	1	
19	95617-06100	NUT, u	1	
20	95027-06030	BOLT, flange	2	
21	437-83936-01	BAND, switch cord	2	
22	4BP-25872-01	HOSE, brake 1	1	
23	90401-10159	BOLT, union	2	
24	90201-10118	WASHER, plate	4	

4DUA110-5340

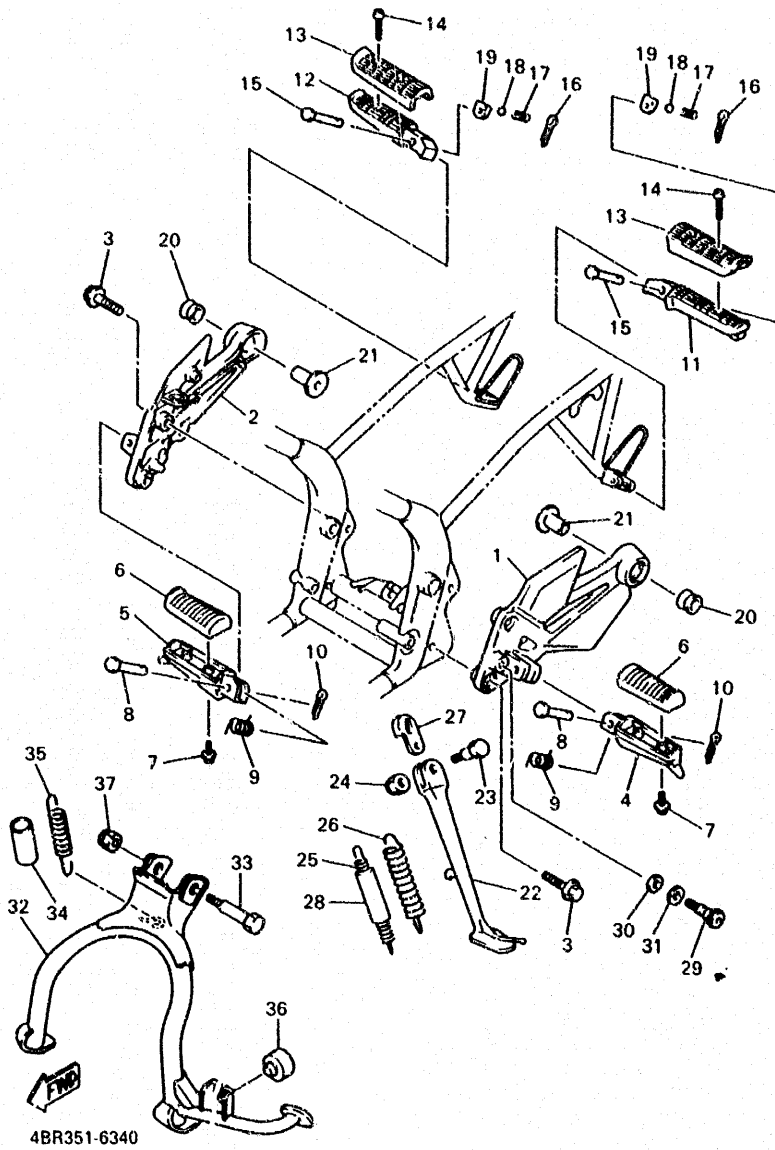
E5

FIG. 34 STAND • FOOTREST



REF. NO.	PART NO.	DESCRIPTION	Q'TY	REMARKS
1	4EB-27442-00	BRACKET 2	1	
2	4EB-27443-00	BRACKET 3	1	
3	90109-083G1	BOLT	4	
4	4BP-27451-01	FOOTREST	1	
5	4BP-27461-01	FOOTREST	1	
6	4BP-27413-00	COVER, footrest	2	
7	90157-05079	SCREW, pan head	4	
8	90240-08140	PIN, clevis	2	
9	90508-20572	SPRING, torsion	2	
10	91401-25020	PIN, cotter	2	
11	4BR-27431-00	FOOTREST, rear 1	1	
12	4BR-27441-00	FOOTREST, rear 2	1	
13	2GH-27413-00	COVER, footrest	2	
14	90157-05079	SCREW, pan head	4	
15	90240-08141	PIN, clevis	2	
16	91401-25020	PIN, cotter	2	
17	90501-12743	SPRING, compression	2	
18	93501-04011	BALL	2	
19	4BP-27437-00	WASHER, special	2	
20	2H7-27414-00	DAMPER, footrest	2	
21	90387-10636	COLLAR	2	
22	4BP-27311-00	STAND, side	1	
23	90109-106F9	BOLT	1	
24	90185-10037	NUT, self-locking	1	
25	90506-18224	SPRING, tension	1	
26	90506-26225	SPRING, tension	1	
27	2KT-27315-00	LINK, side stand	1	
28	1TX-27351-00	GUIDE, side stand	1	

FIG. 34 STAND • FOOTREST

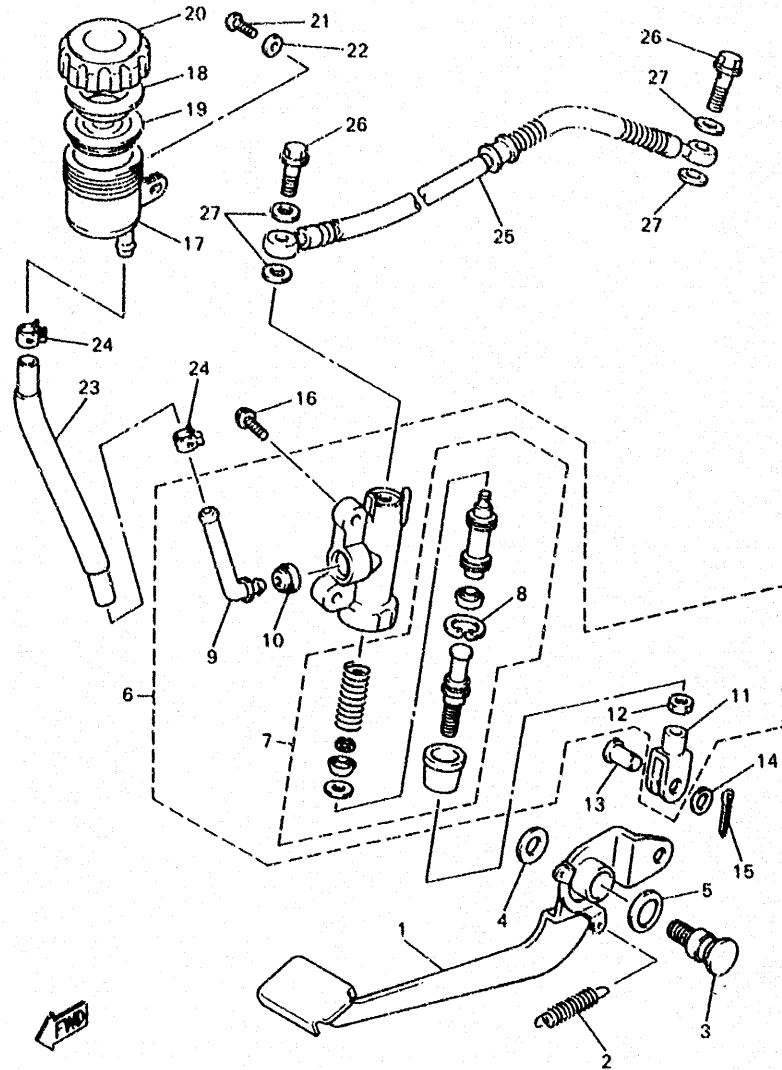


REF. NO.	PART NO.	DESCRIPTION	Q'TY	REMARKS
29	4BP-27434-01	BOLT	1	
30	90201-08326	WASHER, plate	1	
31	90201-127J6	WASHER, plate	1	
32	4BR-27111-00	STAND, main	1	
33	90109-101E6	BOLT	2	
34	90445-252G5	HOSE	1	
35	90506-35297	SPRING, tension	1	
36	2GM-27114-00	STOPPER, main stand	1	
37	90185-10091	NUT, self-locking	2	

E7



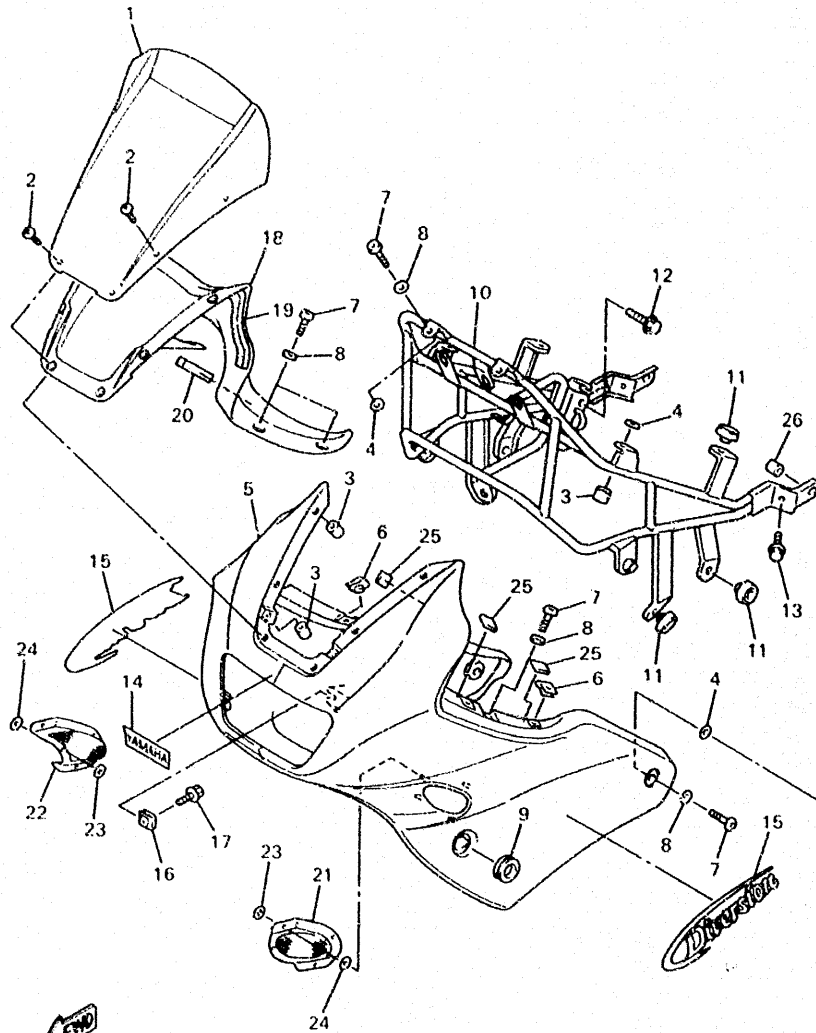
FIG. 35 REAR MASTER CYLINDER



4BR351-6350

REF. NO.	PART NO.	DESCRIPTION	Q'TY	REMARKS
1	4EB-27211-00	PEDAL, brake	1	
2	90506-20192	SPRING, tension	1	
3	4BP-27261-00	SHAFT	1	
4	92907-10200	WASHER, plain	1	
5	90206-14086	WASHER, wave	1	
6	4BP-2583V-00	RR. MASTER CYLINDER ASSY.	1	
7	4BP-W0042-50	•CYLINDER KIT, master	1	
8	3LN-2585G-00	•CIRCLIP	1	
9	4BP-2582A-00	•JOINT	1	
10	4BP-2585F-00	•BUSH	1	
11	4BP-27222-00	•JOINT	1	
12	95304-08700	•NUT	2	
13	90240-08124	PIN, clevis	1	
14	90201-08083	WASHER, plate	1	
15	91401-20015	PIN, cotter	1	
16	92014-08025	BOLT, button head	2	
17	31A-25894-01	TANK, reservoir	1	
18	2GU-25855-00	BUSH, diaphragm	1	
19	360-25854-00	DIAPHRAGM, reservoir	1	
20	2KF-25852-50	CAP, reservoir	1	
21	98507-06018	SCREW, pan head	1	
22	92907-06600	WASHER, plate	1	
23	4BP-25895-01	HOSE, reservoir	1	
24	90467-14057	CLIP	2	
25	4BP-2581K-01	HOSE, brake 5	1	
26	90401-10159	BOLT, union	2	
27	90201-10118	WASHER, plate	4	

FIG. 36 COWLING 1

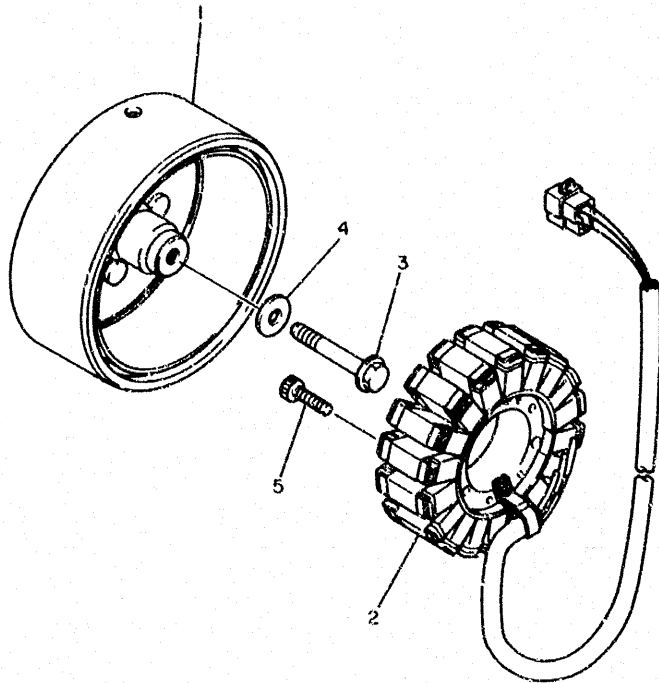


4BR351-6360

REF. NO.	PART NO.	DESCRIPTION	Q'TY	REMARKS
1	4EB-28381-C0	WINDSHIELD	1	
2	90150-05024	SCREW, round head	6	
3	90179-05523	NUT	10	
4	90202-10120	WASHER, plate	6	
5	4EB-28350-00-FE	COWLING ASSY	1	UR MATURE RED
	4EB-28350-00-P0	COWLING ASSY	1	UR VERY DARK BLUE METALLIC 3
6	90183-05024	NUT, spring	4	
7	90149-05299	SCREW	10	
8	4U5-2176E-00	PLATE	10	
9	4KM-28371-00	DAMPER	2	
10	4EB-28356-00	STAY 1	1	
11	22W-24741-00	PAD, seat	6	
12	95817-08035	BOLT, flange	2	
13	95817-06012	BOLT, flange	2	
14	99237-00100	EMBLEM, yamaha	1	
15	4BR-28308-50	EMBLEM, set	1	UR FOR VDBM 3
	4BR-28308-60	EMBLEM, set	1	UR FOR MRE
16	47X-21736-01	NUT, plate	4	
17	90109-063F1	BOLT	4	
18	4EB-2836K-C0	PANEL, inner 1	1	
19	4EB-28217-00	DAMPER 1	1	
20	8U9-77162-00	STRIP, weather 2	2	
21	4EB-2172A-00	PANEL 1	1	
22	4EB-2172F-00	PANEL 2	1	
23	90183-03010	NUT, spring	8	
24	90202-05147	WASHER, plate	8	
25	1UF-15379-00	SEAL, crankcase	6	
26	90179-05271	NUT	2	

FIG. 37 GENERATOR

REF. NO.	PART NO.	DESCRIPTION	Q'TY	REMARKS
1	4HM-81450-00	ROTOR ASSY	1	
2	4EB-81410-00	STATOR ASSY	1	
3	90105-10662	BOLT, washer based	1	
4	90201-10639	WASHER, plate	1	
5	91317-06030	BOLT	3	

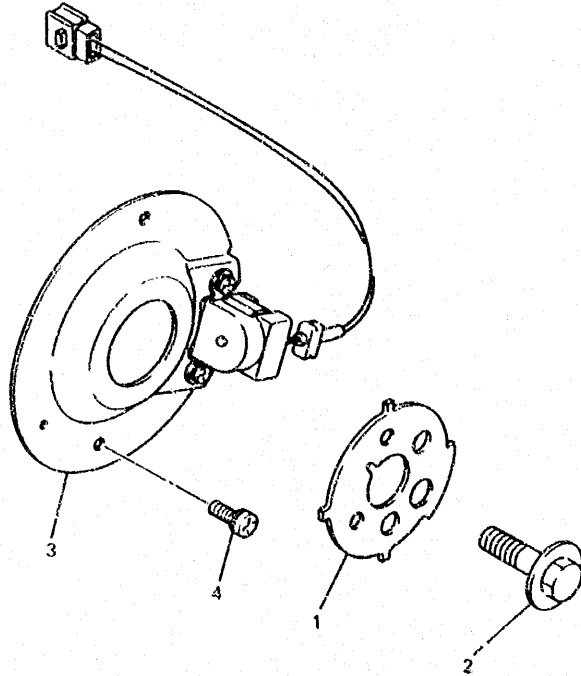



4BP010-1370

**E10**

FIG. 38 PICK UP COIL • GOVERNOR

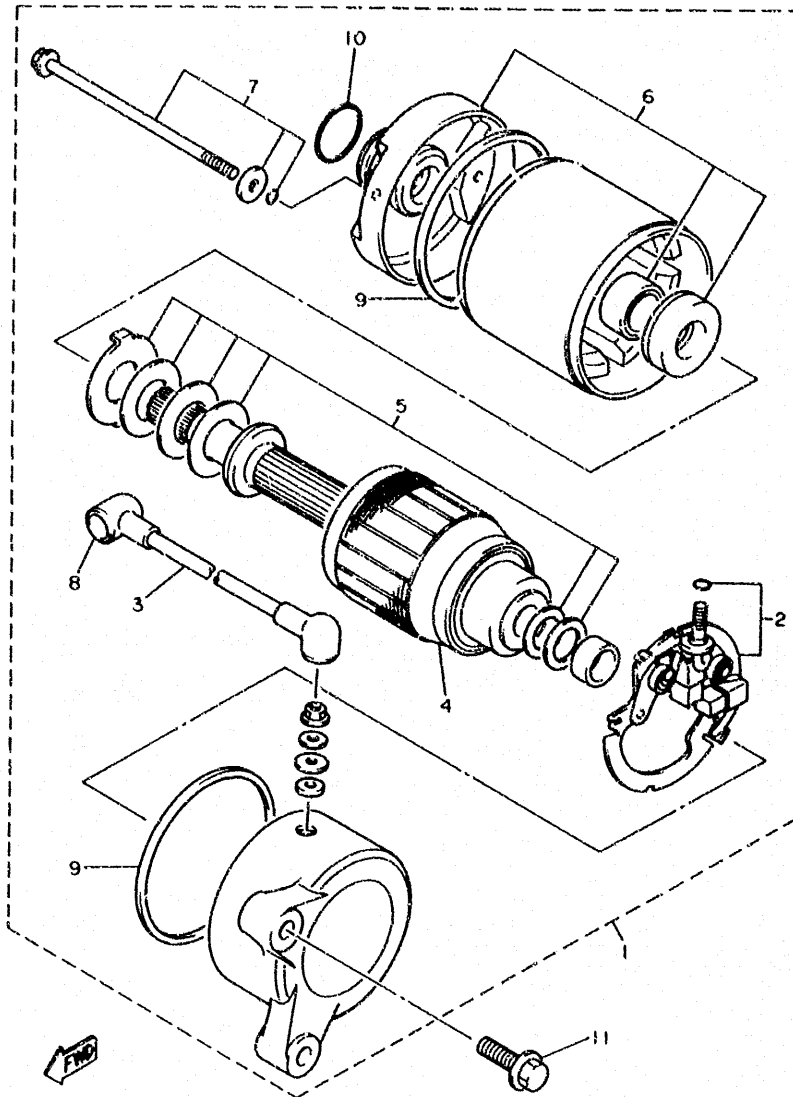
REF. NO.	PART NO.	DESCRIPTION	Q'TY	REMARKS
1	4BR-81673-00	ROTOR	1	
2	90105-10445	BOLT, washer based	1	
3	4BR-81671-00	BASE, pickup	1	
4	90159-06107	SCREW, with washer	2	



  
4HK010-3380

**E11**

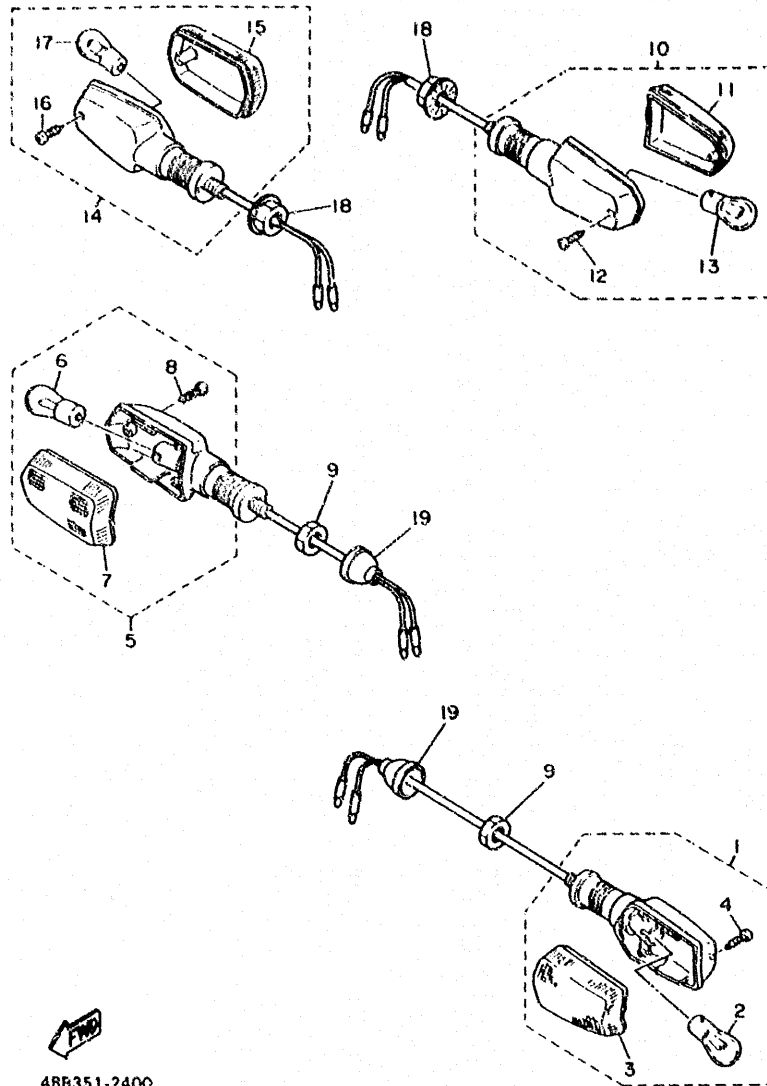
FIG. 39 STARTING MOTOR



4BP010-1390

REF. NO.	PART NO.	DESCRIPTION	Q'TY	REMARKS
1	4BR-81800-00	STARTING MOTOR ASSY	1	
2	3KS-81840-00	BRUSH HOLDER ASSY	1	
3	4BP-81815-00	CORD, starter mot	1	
4	3HE-81850-00	ARMATURE ASSY	1	
5	3AJ-81809-00	WASHER KIT	1	
6	3HE-81830-00	FRONT BRACKET ASSY	1	
7	3HE-81826-00	BOLT	2	
8	4G0-81871-00	CAP	1	
9	11H-81844-00	GASKET	2	
10	26H-81847-00	O-RING	1	
11	95824-06025	BOLT, flange	2	

FIG. 40 FLASHER LIGHT

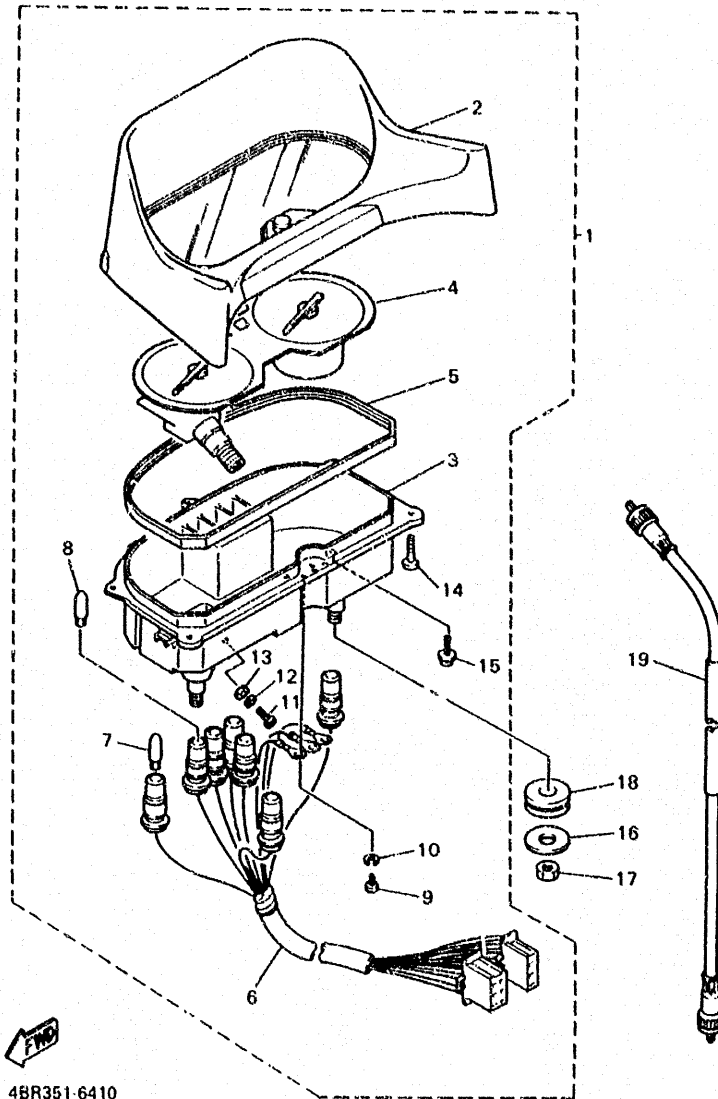


4BR351-2400

REF. NO.	PART NO.	DESCRIPTION	Q'TY	REMARKS
1	3GM-83310-00	FRONT FLASHER LIGHT ASSY 1	1	
2	306-83311-40	•BULB, flasher (12V-21W)	1	
3	51L-83332-01	•LENS, flasher	1	
4	97707-40620	•SCREW, tapping	1	
5	3GM-83320-00	FRONT FLASHER LIGHT ASSY 2	1	
6	306-83311-40	•BULB, flasher (12V-21W)	1	
7	51L-83342-01	•LENS, flasher 2	1	
8	97707-40620	•SCREW, tapping	1	
9	95307-12600	NUT	2	
10	51J-83330-00	REAR FLASHER LIGHT ASSY 1	1	
11	1VU-83332-00	•LENS, flasher	1	
12	97707-40620	•SCREW, tapping	1	
13	306-83311-40	•BULB, flasher (12V-21W)	1	
14	51J-83340-00	REAR FLASHER LIGHT ASSY 2	1	
15	1VU-83342-00	•LENS, flasher 2	1	
16	97707-40620	•SCREW, tapping	1	
17	306-83311-40	•BULB, flasher (12V-21W)	1	
18	95707-12500	NUT, flange	2	
19	10V-83365-00	CAP	2	

E13

FIG. 41 METER

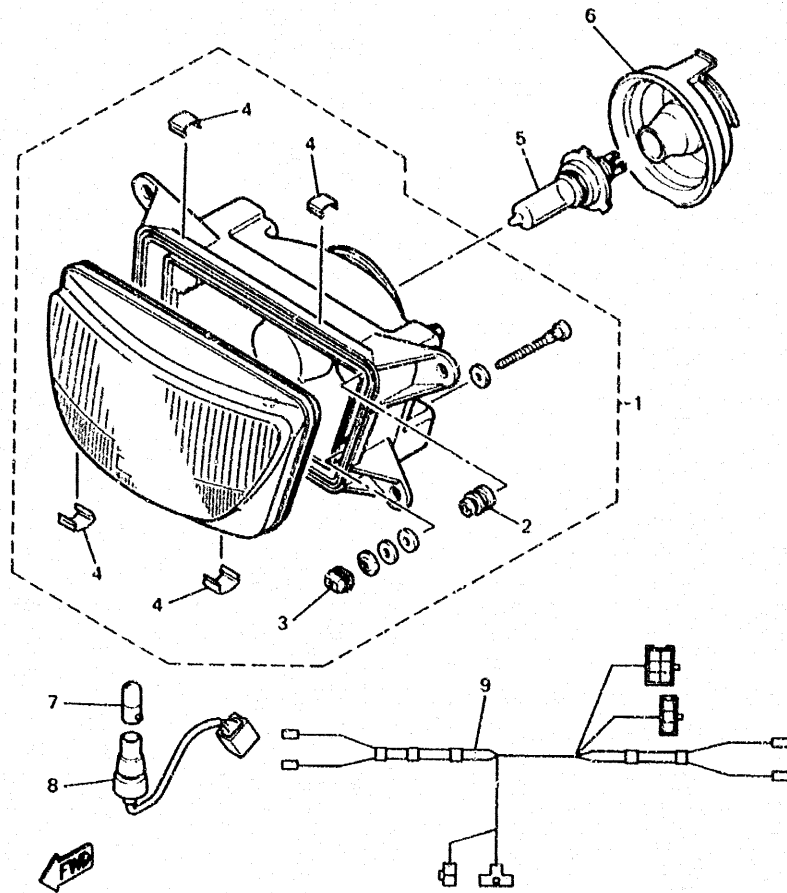


4BR351-6410

REF. NO.	PART NO.	DESCRIPTION	Q'TY	REMARKS
1	4EB-83500-00	METER ASSY	1	
2	4BP-W835E-00	•METER CASE COMP, upper	1	
3	4BP-W835F-00	•METER CASE COMP, under	1	
4	4BR-83570-01	•SPEEDOMETER ASSY	1	
5	4BP-8353J-00	•GASKET, upper	1	
6	4EB-83509-00	•SOCKET CORD ASSY	1	
7	3GM-83517-00	•BULB(12V-1.7W)	3	
8	4G1-84744-00	•BULB(12V-3.4W)	4	
9	98580-03010	•SCREW, pan head	3	
10	92990-03100	•WASHER, spring	3	
11	98507-04010	•SCREW, pan head	2	
12	92907-04100	•WASAHER, spring	2	
13	92907-04600	•WASHER	2	
14	90164-04005	•SCREW, tapping	6	
15	90164-04008	•SCREW, tapping	2	
16	90201-06067	WASHER, plate	3	
17	95307-06600	NUT	3	
18	5J0-83513-00	DAMPER	3	
19	3GM-83550-01	SPEEDOMETER CABLE ASSY	1	

E14

FIG. 42 HEADLIGHT



REF. NO.	PART NO.	DESCRIPTION	Q'TY	REMARKS
1	3HE-84320-40	LENS ASSY	1	
2	3A,I-8431U-00	•HOLDER	1	
3	51L-84334-00	•NUT, adjusting	2	
4	3MA-8413H-00	•PLATE, spring	4	
5	2F9-84314-00	BULB (12V-60/55W)	1	HALOGEN
6	36Y-84397-00	COVER, socket	1	
7	4E2-84347-00	BULB (12V-4W)	1	
8	3HE-84312-40	SOCKET	1	
9	4EB-84359-00	CORD, headlight	1	

48R351-6420

**E15**



# CONTENTS

## GENERAL SPEC.

### ENGINE

Cylinder Head .....	B2
Cylinder .....	B3
Crankshaft · Piston .....	B4
Valve .....	B5 ~ B6
Camshaft · Chain .....	B7
Oil Pump .....	B8
Oil Cooler .....	B9
Oil Cleaner .....	B10
Intake .....	B11 ~ B12
Carburetor .....	B13 ~ B15
Exhaust .....	C2
Crankcase .....	C3 ~ C5
Crankcase Cover 1 .....	C6 ~ C7
Starter Clutch .....	C8
Clutch .....	C9 ~ C10
Transmission .....	C11 ~ C12
Shift Cam · Fork .....	C13
Shifter .....	C14

### CHASSIS

Frame .....	C15
Fender .....	D2 ~ D3
Side Cover .....	D4
Rear Arm .....	D5
Rear Suspension .....	D6
Steering .....	D7
Front Fork .....	D8 ~ D9
Fuel Tank .....	D10 ~ D11

Seat .....	D12
Front Wheel .....	D13
Front Brake Caliper .....	D14
Rear Wheel .....	D15 ~ E2
Rear Brake Caliper .....	E3
Steering Handle · Cable .....	E4
Front Master Cylinder .....	E5
Stand · Footrest .....	E6 ~ E7
Rear Master Cylinder .....	E8
Cowling 1 .....	E9
Generator .....	E10
Pick Up Coil · Governor .....	E11
Starting Motor .....	E12
Flasher Light .....	E13
Meter .....	E14
Headlight .....	E15
Taillight .....	F2
Handle Switch · Lever .....	F3
Electrical 1 .....	F4
Electrical 2' .....	F5

### INDIVIDUAL SPEC.

#### FOR ENGLAND

Alternate (Electrical) .....	F7
------------------------------	----

#### FOR SWEDEN

Alternate (Engine) .....	F9
--------------------------	----

## FOR SWITZERLAND, AUSTRIA

Alternate (Engine) .....	F11
Alternate (Chassis) .....	F12

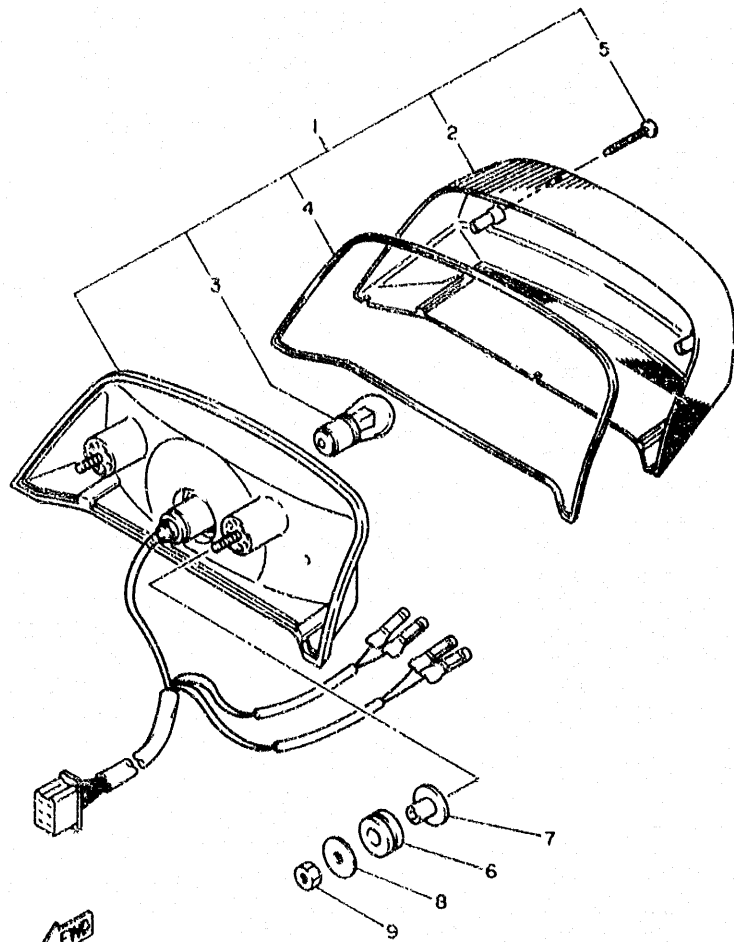
### INDEX (GENERAL SPEC.)

NUMERICAL INDEX .....	K2 ~ K5
-----------------------	---------

### INDEX (INDIVIDUAL SPEC.)

NUMERICAL INDEX .....	L2
-----------------------	----

FIG. 43 TAILLIGHT

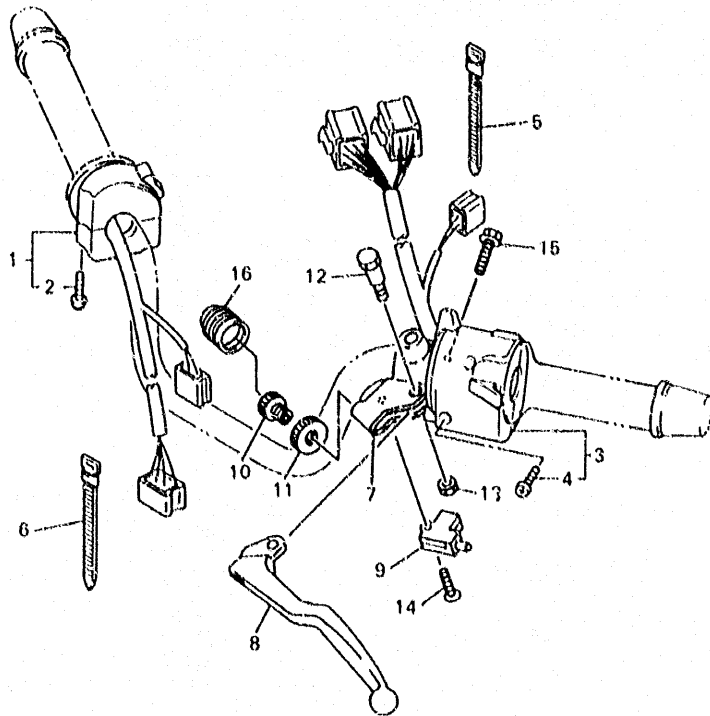


4BP010-1430

REF. NO.	PART NO.	DESCRIPTION	Q'TY	REMARKS
1	4BP-84710-00	TAILLIGHT UNIT ASSY	1	
2	4BP-84721-00	•LENS, taillight	1	
3	137-84714-61	•BULB (12V-23/8W)	1	
4	4BP-84712-00	•GASKET, taillight	1	
5	4BP-8471J-00	•SCREW, taillight	2	
6	90480-18276	GROMMET	2	
7	90387-07037	COLLAR	2	
8	90201-083J2	WASHER, plate	2	
9	95307-06600	NUT	2	

F2

FIG. 44 HANDLE SWITCH • LEVER



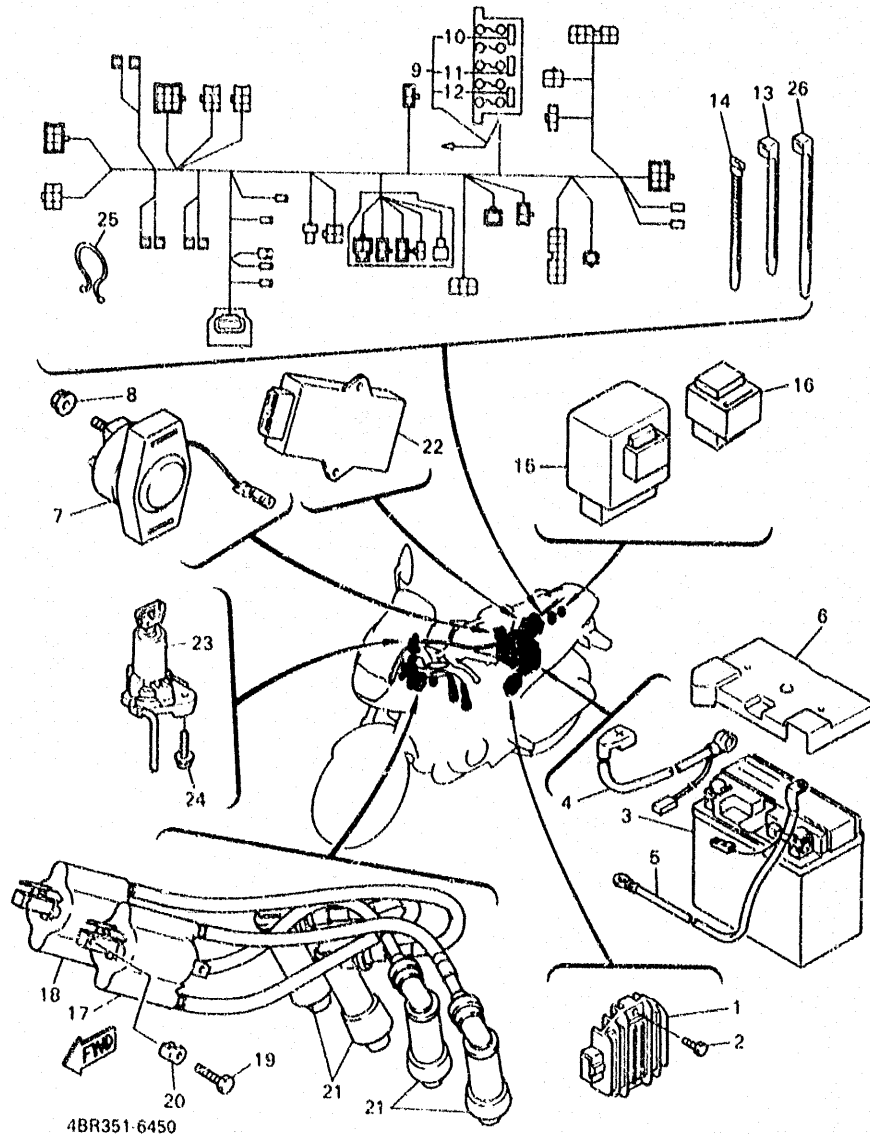
REF. NO.	PART NO.	DESCRIPTION	QTY	REMARKS
1	4KM-83963-00	SWITCH, handle 3	1	
2	98507-05045	•SCREW, pan head	2	
3	4EB-83972-00	SWITCH, handle 4	1	
4	98507-05025	•SCREW, pan head	2	
5	80L-26397-00	BAND	1	
6	12R-82591-00	BAND	2	
7	4KM-82911-00	HOLDER, lever 1	1	
8	4KM-83912-00	LEVER 1	1	
9	3YX-82917-00	SWITCH	1	
10	90123-08096	BOLT	1	
11	90179-08148	NUT	1	
12	3YX-83945-00	BOLT, lever	1	
13	95607-06100	NUT, u	1	
14	98707-03020	SCREW, flat head	1	
15	95027-06020	BOLT, flange	1	
16	1E6-26342-00	BOOT, cable	1	



4BR351-6440

**F3**

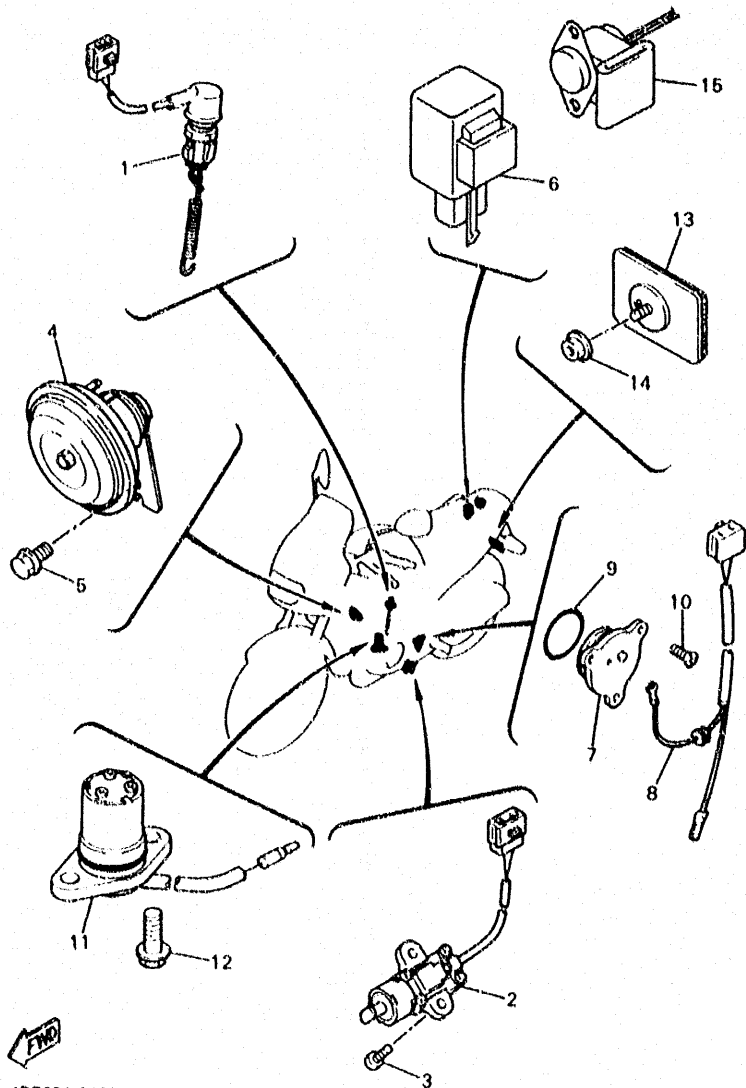
FIG. 45 ELECTRICAL 1



REF. NO.	PART NO.	DESCRIPTION	Q'TY	REMARKS
1	4HM-81960-00	RECTIFIER & REGULATOR ASSY	1	
2	91317-06020	BOLT	2	
3	3PK-82100-00	BATTERY ASSY (YTX9-BS 12V-8AH)	1	
4	4EB-82115-00	WIRE, plus lead	1	
5	4BP-82116-00	WIRE, minus lead	1	
6	4EB-82129-00	COVER, battery	1	
7	4BP-81940-00	STARTER RELAY ASSY	1	
8	95707-06500	NUT, flange	2	
9	4EB-82690-00	WIRE HARNESS ASSY	1	
10	1AE-82151-00	•FUSE (30A-BL)	2	
11	36Y-82161-00	•FUSE (15A-BL)	3	
12	42X-82151-00	•FUSE (10A-BL)	2	
13	1UA-82591-00	BAND	6	
14	80L-26397-00	BAND	2	
15	3EN-81950-00	RELAY ASSY	1	
16	4U8-81950-02	RELAY ASSY	1	FOR HEATER
17	4BR-82310-00	IGNITION COIL ASSY	1	
18	4BR-82320-00	IGNITION COIL ASSY	1	
19	97080-06020	BOLT	4	
20	4BR-82317-00	DAMPER, ignition coil	4	
21	4BP-82370-00	PLUG CAP ASSY	4	
22	4BR-82305-10	IGNITOR UNIT ASSY	1	
23	4JH-82501-01	MAIN SWITCH STEERING LOCK	1	
24	90109-080G5	BOLT	2	
25	90464-23041	CLAMP	3	
26	90464-13080	CLAMP	1	

F4

FIG. 46 ELECTRICAL 2



4BR351-6460

REF. NO.	PART NO.	DESCRIPTION	Q'TY	REMARKS
1	4BP-82530-01	STOP SWITCH ASSY	1	
2	3LD-82566-70	SWITCH, side stand	1	
3	90157-05079	SCREW, pan head	2	
4	34Y-83371-00	HORN	1	
5	95807-06010	BOLT, flange	1	
6	3GM-83350-01	FLASHER RELAY ASSY	1	
7	1L9-82540-00	NEUTRAL SWITCH ASSY	1	
8	4BP-82509-00	WIRE, sub load	1	
9	93210-29196	O-RING	1	
10	98707-05012	SCREW, flat head	3	
11	4BR-85720-00	OIL LEVEL GAUGE ASSY	1	
12	95027-06016	BOLT, flange	2	
13	3G1-85130-01	REAR REFLECTOR ASSY	1	
14	95707-05500	NUT, flange	1	
15	3BT-82560-00	THERMO SWITCH ASSY	1	

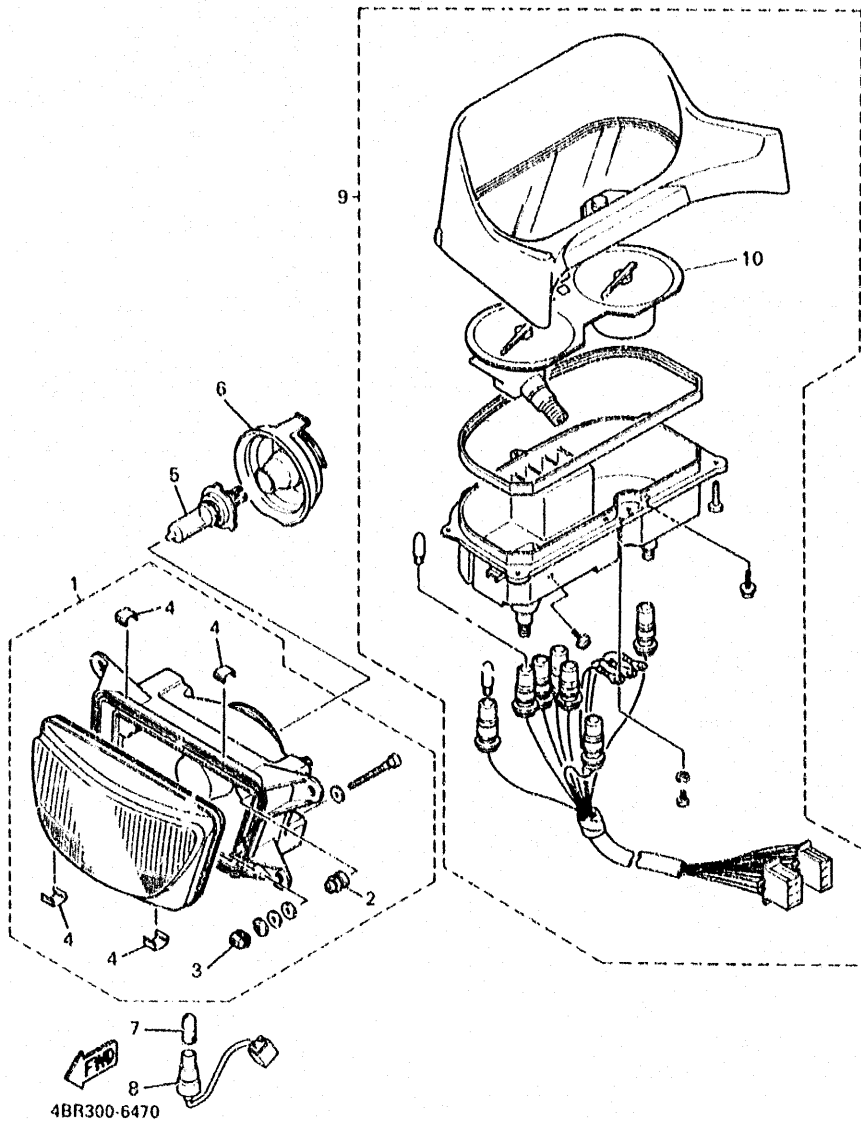
F5

# FOR ENGLAND

The following pages provides a listing of only the parts that meet the specifications peculiar to your market. For those parts not appearing in these pages, refer to the "GENERAL SPEC." section.

**F6**

FIG. 47 ALTERNATE (ELECTRICAL)



REF. NO.	PART NO.	DESCRIPTION	Q'TY	REMARKS
1	3HE-84320-60	LENS ASSY	1	
2	3AJ-8431U-00	•HOLDER	1	
3	51L-84334-00	•NUT, adjusting	2	
4	3MA-8413H-00	•PLATE, spring	4	
5	2F9-84314-00	BULB (12V-60/55W)	1	HALOGEN
6	36Y-84397-00	COVER, socket	1	
7	4E2-84347-00	BULB (12V-3.4W)	1	
8	3HE-84312-40	SOCKET	1	
9	4BR-83500-20	METER ASSY	1	MPH
10	4BR-83570-11	•SPEEDOMETER ASSY	1	MPH

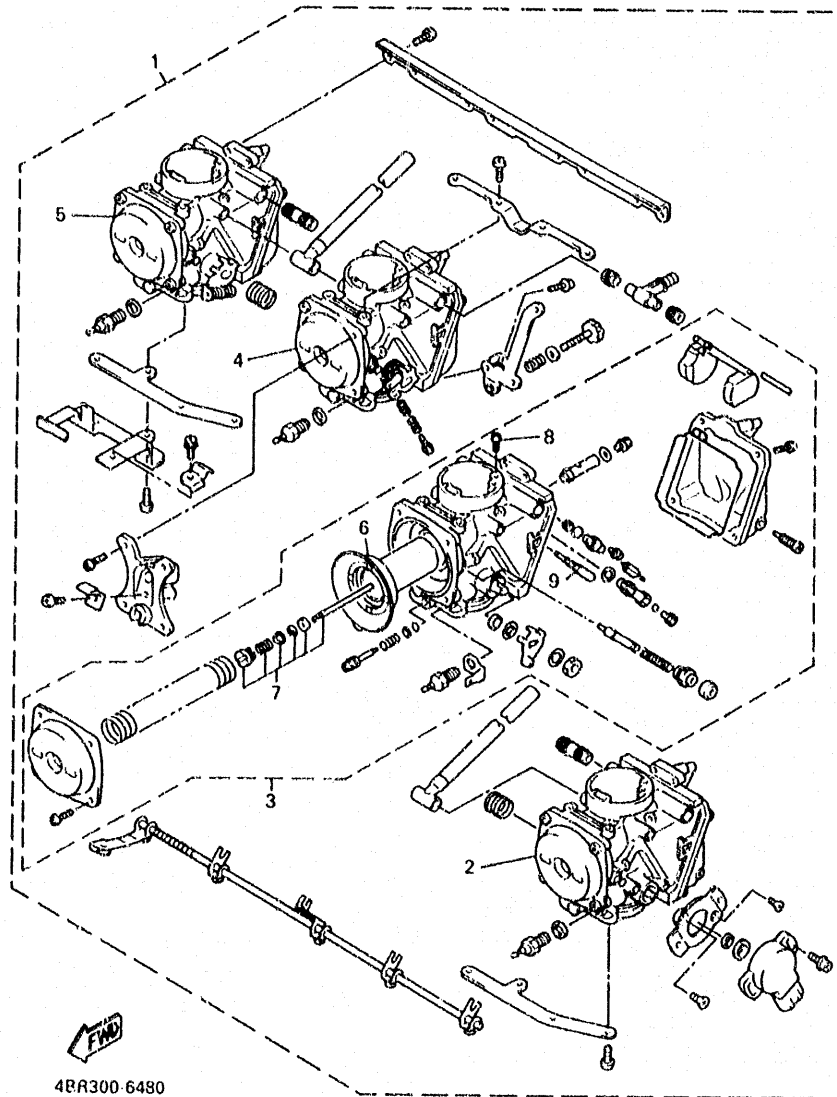
F7

# FOR SWEDEN

The following pages provides a listing of only the parts that meet the specifications peculiar to your market. For those parts not appearing in these pages, refer to the "GENERAL SPEC." section.



FIG. 48 ALTERNATE (ENGINE)



4BR300-6480

REF. NO.	PART NO.	DESCRIPTION	Q'TY	REMARKS
1	4EB-14900-20	CARBURETOR ASSY	1	
2	4EB-14901-20	..CARBURETOR ASSY 1	1	
3	4EB-14902-20	..CARBURETOR ASSY 2	1	
4	4EB-14903-20	..CARBURETOR ASSY 3	1	
5	4EB-14904-20	..CARBURETOR ASSY 4	1	
6	4EB-14940-00	..DIAPHRAGM ASSY	1	
7	4EB-1490J-10	..NEEDLE SET	1	
8	1HX-14321-27	..JET, main (#135)	1	
9	22F-14142-15	..JET, pilot (#15)	1	

As for remaining parts of the carburetor not listed here, refer to the carburetor section (Fig. 10, B13, B14, B15).

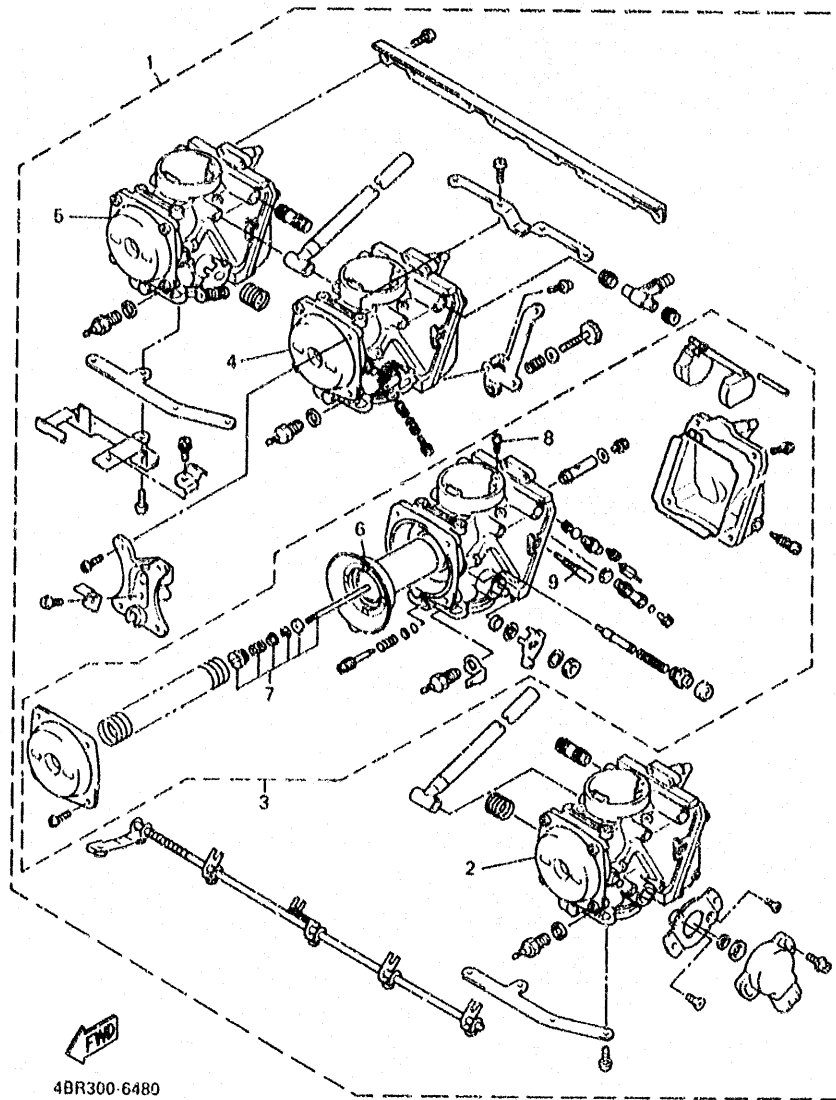
**F9**

# FOR SWITZERLAND AUSTRIA

The following pages provides a listing of only the parts that meet the specifications peculiar to your market. For those parts not appearing in these pages, refer to the "GENERAL SPEC." section.

**F10**

FIG. 49 ALTERNATE (ENGINE)

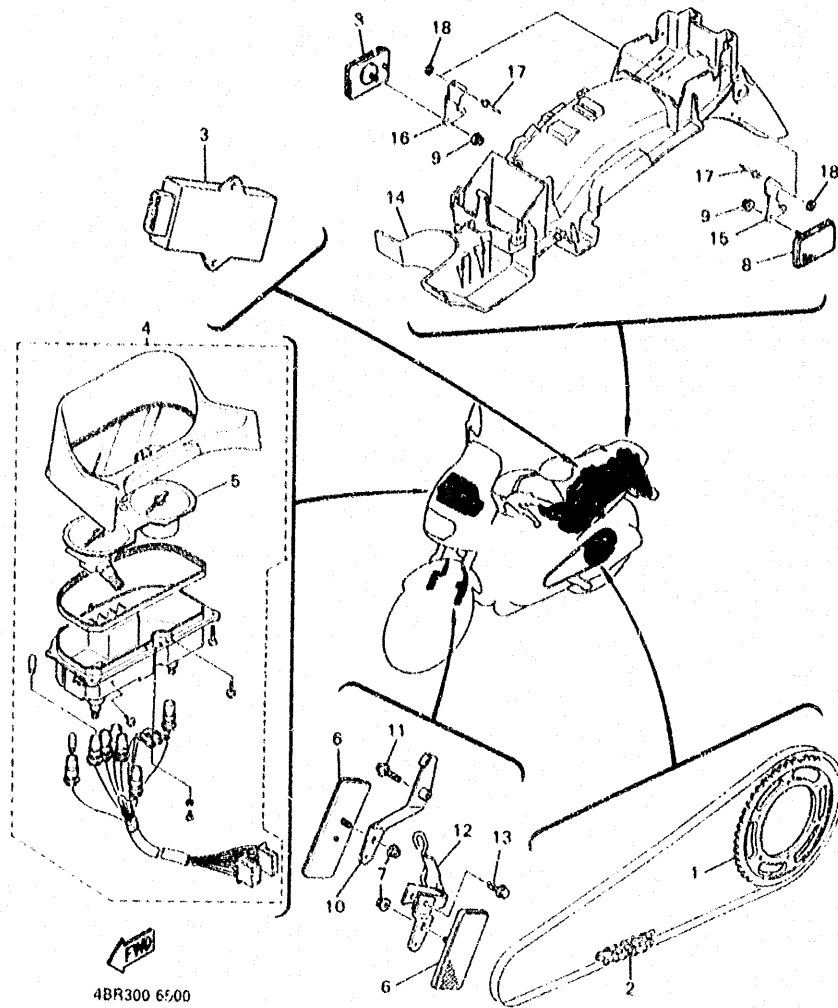


REF. NO.	PART NO.	DESCRIPTION	Q'TY	REMARKS
1	4DG-14900-20	CARBURETOR ASSY	1	
2	4DG-14901-20	..CARBURATOR ASSY 1	1	
3	4DG-14902-20	..CARBURATOR ASSY 2	1	
4	4DG-14903-20	..CARBURATOR ASSY 3	1	
5	4DG-14904-20	..CARBURETOR ASSY 4	1	
6	4DG-14940-10	..DIAPHRAGM	1	
7	4DG-1490J-10	..NEEDLE SET	1	
8	1HX-14231-26	..JET, main (#130)	1	
9	22F-14142-12	..JET, pilot (#12.5)	1	

As for remaining parts of the carburetor not listed here, refer to the carburetor section (Fig. 10, B13, B14, B15).

**F11**

FIG. 50 ALTERNATE (CHASSIS)



REF. NO.	PART NO.	DESCRIPTION	Q'TY	REMARKS
1	4BP-25446-20	SPROCKET, driven (46T)	1	
2	94581-30108	CHAIN (D.I.D. 520VL2-108LE)	1	
3	4DG-82305-00	IGNITOR UNIT ASSY	1	
4	4DG-83500-16	METER ASSY	1	
5	4DG-83570-00	SPEEDOMETER ASSY	1	
6	11H-85110-01	REFLECTOR ASSY	2	
7	95707-05500	NUT	2	
8	20G-85110-00	REFLECTOR ASSY	2	
9	95707-05500	NUT	2	
10	4DU-26875-00	HOLDER, brake hose 1	1	
11	95027-06025	BOLT	1	
12	4DU-21697-00	HOLDER, wire 1	1	FOR AUSTRIA
13	95027-06025	BOLT	1	
14	4DU-21611-01	FENDER, rear	1	
15	3LK-21688-00	BRACKET, rear stay	1	
16	3LK-21689-00	BRACKET, rear stay 2	1	
17	90267-40076	RIVET, blind	4	
18	90201-04018	WASHER, plate	4	

**INDEX**  
**(GENERAL SPEC.)**

**K<sub>1</sub>**

NUMERICAL INDEX

PART NO.	GRID NO.	PART NO.	GRID NO.	PART NO.	GRID NO.
3YX-W0041-50	E - 5	49A-11633-00	B - 4	4BR-12241-00	B - 7
4BP-W0042-50	E - 8	4BR-11636-00	B - 4	4BR-12251-00	B - 7
4BP-W0045-00	D-14	4BR-11638-00	B - 4	4BR-12252-00	B - 7
51L-W0046-02	E - 3	4BR-11650-00	B - 4	4BR-12682-02	B-12
3JB-W0047-00	D-14	4H7-11654-00	B - 4	4G0-13171-00	C - 4
51L-W0047-11	E - 3	49A-11656-00	B - 4	4H7-13310-00	B - 8
51L-W0048-00	D-14	49A-11656-10	B - 4	33M-13314-01	B - 8
	E - 3	49A-11656-20	B - 4	4G0-13316-00	B - 8
3YX-W0057-50	D-14	49A-11656-30	B - 4	4G0-13324-09	C - 9
51L-W0057-00	E - 3	4BR-12111-00	B - 5	4EB-13325-00	B - 8
3YX-W0091-02	E - 5	4BR-12113-00	B - 5	33M-13336-00	B - 8
4BR-W1543-00	C - 6	4BR-12114-00	B - 5	4H7-13411-02	B - 8
3CK-W2470-00	D-12	4BR-12116-00	B - 5	4BR-13412-00	B - 6
4BR-W2587-00	E - 5	33M-12117-00	B - 5	4BR-13414-00	B - 10
4BP-W835E-00	E-14	1AA-12118-00	B - 5	4BR-13417-00	B - 10
4BP-W835F-00	E-14	33M-12119-00	B - 5	3FV-13440-00	B - 10
4BR-11101-10	B - 2	4BR-12121-00	B - 5	3VD-13455-00	B - 10
4KG-1111G-00	B - 2	26H-12153-00-Y0	B - 6	3TJ-13461-00	B - 10
4BR-1112G-00	B - 2	26H-12168-A0	B - 5	4KM-13461-00	B - 9
4BR-11133-10	B - 2	26H-12168-F0	B - 5	4EB-13464-00	B - 9
4BR-11166-00	B-11	26H-12168-H0	B - 5	4EB-13465-00	B - 9
4BR-1118E-00	B - 2	26H-12168-K0	B - 5	4EB-13470-00	B - 9
4BR-11181-00	B - 2	26H-12168-M0	B - 5	4KM-13479-00	B - 9
4DU-11191-00	B - 2	26H-12168-R0	B - 5	11H-13490-00	B - 8
4BR-11193-00	B - 2	26H-12168-U0	B - 5	4KM-13493-00	B - 9
214-11198-01	B-10	26H-12168-W0	B - 5	4BR-13575-00	B - 11
4BR-11310-01	B - 3	26H-12168-Y0	B - 5	4EB-13586-00	B - 11
4BR-11351-01	B - 3	26H-12168-00	B - 5	4EB-13596-00	B - 11
4BR-11363-00	C - 3	26H-12168-20	B - 5	4EB-13597-00	B - 11
4G0-11363-00	C - 3	26H-12168-40	B - 5	4BR-13598-00	B - 11
4G0-11364-00	C - 3	26H-12168-60	B - 5	3YX-13907-01	D - 11
4G0-11406-00	C - 8	26H-12168-80	B - 5	4DU-1410A-00	B - 13
4BR-11411-00	B - 4	26H-12169-E0	B - 5	1HX-14103-00	B - 14
4BR-11416-00	B - 4	26H-12169-G0	B - 6	12R-14105-00	B - 13
4BR-11416-10	B - 4	26H-12169-J0	B - 6	3CF-14107-10	B - 13
4BR-11416-20	B - 4	26H-12169-L0	B - 6	22F-14117-00	B - 14
4BR-11416-30	B - 4	26H-12169-N0	B - 6	4DU-14125-00	B - 14
4BR-11416-40	B - 4	26H-12169-T0	B - 6	1HX-1411-1-00	B - 14
4BR-11474-00	C - 8	26H-12169-10	B - 5	3DM-1411-1-30	B - 13
4BR-11492-00	C - 4	26H-12169-30	B - 5	22F-14142-17	B - 14
4BR-11537-00	C - 8	26H-12169-50	B - 5	1HX-14147-00	B - 13
4G0-11575-00	C - 4	26H-12169-70	B - 5	137-14153-00	B - 13
4G0-11592-00	C - 4	26H-12169-90	B - 5	353-14186-00	B - 14
46X-11597-00	C - 5	4BR-12171-00	B - 7	12R-14191-00	B - 13
4BR-11610-00	B - 4	4BR-12176-00	B - 7	4HM-14216-00	B - 14
4BR-11610-20	B - 4	4BR-12181-00	B - 7	1AE-14227-00	B - 13
4BR-11610-40	B - 4	4BR-12210-00	B - 7	1HX-14231-28	B - 14
4BR-11631-00-A0	B - 4	4BR-12213-00	B - 7	620-14231-20	B - 13

NUMERICAL INDEX

PART NO.	GRID NO.	PART NO.	GRID NO.	PART NO.	GRID NO.
3KM-15189-00	C - 4	4BR-17211-00	C - 11	1AE-14237-00	B - 13
4G0-15316-00	C - 4	4BR-17231-00	C - 11	4HM-14239-00	B - 14
46X-15326-00	C - 4	4BR-17241-00	C - 11	3LN-14251-00	B - 15
4BR-15327-00	C - 4	4BR-17251-01	C - 11	1AE-14261-00	B - 13
33M-15336-00	C - 4	4BR-17261-00	C - 11	4KG-14285-00	B - 14
4G0-15336-00	C - 4	4BR-17402-01	C - 11	4BR-14349-00	B - 11
33M-15337-00	C - 4	4BR-17411-00	C - 11	4BR-14389-00	B - 14
3Y1-15361-00	C - 6	278-17424-01	C - 11	4BR-14411-00	B - 11
UF9-15362-00	C - 6	278-17425-00	C - 11	4BR-14412-01	B - 11
1UF-15379-00	E - 9			4BR-14419-00	B - 11
4BR-15381-00	C - 4	4G0-17433-01	C - 11	4BR-14421-00	B - 11
4G0-15383-00	C - 4			4EB-14425-00	B - 12
49A-15383-00	C-13	4BR-17460-00	C - 11	4KE-14426-00	B - 12
4BR-15410-00	C - 6	4BR-18110-00	C - 14	31A-14435-00	B - 11
4BR-15411-01	C - 6	4BR-18112-00	C - 14	4BR-14451-00	B - 11
49A-15412-00	C - 6	132-18113-01	C - 14	4BR-14452-00	B - 11
4EB-15415-00	C - 6	26H-18115-00	C - 14	4EB-14453-00	B - 11
4BR-15420-10	C - 6	4BR-18120-00	C - 14	5T0-14457-00	B - 11
4BR-15441-00	C - 7	4BR-18127-00	C - 13	31A-14477-00	D - 2
4BR-15461-00	C - 6	4BR-18140-00	C - 13	1FN-14565-00	B - 13
4BR-15463-00	C - 6	4BR-18152-00	C - 13	1HX-14565-00	B - 13
4BR-15484-00	C - 6	4BR-18185-00	C - 13	812-14594-00	B - 14
4BP-15512-00	C - 8	4BR-18511-00	C - 13	4BR-14610-02	C - 2
4BP-15517-00	C - 8	4BR-18512-00	C - 13	4BR-14613-00	C - 2
33M-15521-00	C - 8	4BR-18513-00	C - 13	4BR-14620-02	C - 2
4BR-15570-00	C - 8	4BR-18531-00	C - 13	4EB-14710-01	C - 2
4BR-15580-01	C - 8	4BR-18536-00	C - 13	4EB-14720-01	C - 2
117-15644-00	C-13	4BR-18540-01	C - 13	3VD-17555-00	C - 2
4U8-16111-00	C - 8	278-18542-00	C - 13	4BR-1490J-10	B - 13
4BR-16139-00	C - 8	278-18566-00	C - 13	3KW-1490K-00	B - 14
3Y1-16154-00	C - 9	4EB-21110-00-FE	C - 15	4BR-1490L-00	B - 14
4BR-16155-00	C - 8	4EB-21110-00-P0	C - 15	4BR-14900-20	B - 13
4U8-16170-01	C - 9	4BP-21315-00	C - 15	4BR-14901-20	B - 13
4H7-16321-01	C - 9	4BP-21316-00	C - 15	4BR-14902-20	B - 13
168-16324-00	C - 9	3SX-2135F-00	C - 15	4BR-14903-20	B - 13
168-16325-00	C - 9	3FC-2139R-00	D - 2	4BR-14904-20	B - 13
4BR-16340-00	C - 9	4BP-21445-01	C - 15	1HX-14933-30	B - 13
4BR-16351-00	C - 9	4BP-21446-01	C - 15	4BR-14940-00	B - 14
3LD-1637A-01	C - 9	4X7-2149Y-00	B - 11	1A8-14953-00	B - 13
4BR-16370-00	C - 9	4BP-21510-00-FE	D - 2	1HX-14985-00	B - 14
3JD-16382-00	C - 9	4BP-21510-00-P1	D - 2	4BR-14987-10	B - 13
1J7-16383-01	C - 9	1A8-21518-00	D - 2	256-14997-00	B - 13
1J7-16384-00	C - 9	4BP-21611-01	D - 2	3EN-14997-00	B - 15
1J7-16385-00	C - 9	4BR-21621-00	D - 2	4BR-15100-01	C - 3
4BR-17121-00	C - 11	4BP-21644-00	D - 2	4G0-15138-00	C - 3
4BR-17131-00	C - 11	4BP-21645-00	D - 2	4BR-15148-00	C - 3
4BR-17151-00	C - 11	4EB-21651-00-FE	D - 2	4G0-15163-01	C - 4
4BR-17161-02	C - 11	4EB-21651-00-P0	D - 2	4BR-15167-10	C - 3

NUMERICAL INDEX

PART NO.	GRID NO.	PART NO.	GRID NO.	PART NO.	GRID NO.
4EB-2171E-00	D-4	4EB-23356-00	D-9	29L-25398-00	D-13
4EB-2171X-00	D-4	3HE-23416-00	D-7		D-15
4EB-21711-00-FE	D-4	26H-23418-01	D-7	29L-25398-10	D-13
4EB-21711-00-PO	D-4	4BP-23435-20	D-7		D-15
3XV-21717-00	D-12	4H7-23441-00-PO	D-7	29L-25398-20	D-13
4EB-2172A-00	E-9	3FV-23462-00	D-7		D-15
4EB-2172F-00	E-9	4BP-24110-01-X6	D-10	4BP-25448-20	D-15
4EB-21721-00-FE	D-4	4BP-24110-01-X7	D-10	4BP-2580T-00	D-14
4EB-21721-00-PO	D-4	2GH-24181-00	D-10	4BP-2580W-00	F-3
47X-21736-01	E-9	4BP-24182-00	D-10	4BP-2581K-01	E-8
4U5-2176E-00	E-9	2GH-24183-00	D-10	3HE-25819-01	E-2
4BR-22110-01-WL	D-5	3Y6-24183-00	D-10	4BP-2582A-00	E-8
4X7-22129-00	D-5	4JH-24183-00	D-10	4BP-2582F-00	D-14
3LN-22141-60	D-5	2GH-24186-00	D-10	4HM-2582W-00	E-3
3YX-22151-00	D-5	4BP-24186-00	D-10	4BP-25827-00	E-3
3YX-22174-00	D-15	4BP-24188-00	D-10	3YX-2583H-00	E-5
33M-22184-00	D-5	4BP-24191-00	D-10	4BP-2583V-00	E-8
4BR-22210-01	D-6	4EB-24216-00	D-11	3YX-25838-00	E-5
34L-22216-00	D-6	4EB-24311-00	D-11	341-25846-00	D-13
1KT-22311-00	D-5	4EB-24313-00	D-11	4BP-2585F-00	E-8
4BR-23102-00	D-8	4BR-24366-00	D-11	3LN-2585G-00	E-3
4BR-23103-00	D-8	4EB-24398-00	D-11	2KF-25852-50	E-8
3YX-23110-00	D-8	3YJ-24481-00	C-15	3YX-25852-00	E-5
3EN-23111-00	D-9	4BP-24500-00	D-10	3YX-25854-00	E-5
		4X8-24512-00	D-10	3GJ-25854-00	E-8
1W4-23114-L0	D-8	3AJ-24523-00	D-10	2GU-25855-00	E-8
		3HE-24524-00	D-10	3YX-25856-00	E-5
26H-23118-00	D-8	3AJ-24534-00	D-10	3YX-25866-10	E-5
		1FK-24560-00	D-11	3YX-25867-00	E-5
4KM-23123-01	D-9	4FM-24602-00	D-10	4BP-25872-01	E-5
3YX-23125-00	D-8	4EB-24730-00	D-12	4BP-25875-01	D-2
4BP-23126-00	D-8	4BR-24731-10	D-12	3YX-25880-00	E-5
4BP-23136-00	D-8	4BP-24737-00	D-12	4BP-25886-00	D-7
4BP-23141-00	D-8	22W-24741-00	D-12	3YX-2589F-00	E-5
				31A-25694-01	E-8
3EN-23144-01	D-8	4EB-2478E-00	D-12	4BP-25895-01	E-8
3EN-23145-00	D-8	4BP-24780-00	D-12	3LN-25919-10	E-3
4V2-23146-L0	D-8	4BP-24792-00	D-12	4BP-25919-00	D-14
4DN-23149-40	D-8	341-25149-00	D-13	4FL-25924-00	E-3
		4BP-25168-00-WN	D-13	3YX-25929-00	D-14
3R4-23153-00	D-8	3GM-25181-01	D-13	3YX-25937-00	D-14
509-23158-L0	D-8	4KG-25190-01	D-13	5R2-25937-00	D-14
		3HE-25338-00-WN	D-15	4EB-26110-00	E-4
4BR-23170-00	D-8	4BP-25364-00	D-15	36Y-26240-00	E-4
2YK-23173-00	D-8	4BP-25366-00	D-15	31A-26241-00	E-4
278-23181-50	D-8	4BR-25371-01	D-15	4JH-26246-00	E-4
		3HE-25381-01	E-2	4BR-26280-00	E-4
4BP-23340-00	D-9	4BP-25388-00	D-15	3XW-26281-01	E-4

NUMERICAL INDEX

PART NO.	GRID NO.	PART NO.	GRID NO.	PART NO.	GRID NO.
3XW-26282-01	E-4	3HE-81830-00	E-12	4EB-83500-00	E-14
4BR-26290-00	E-4	3KS-81840-00	E-12	4EB-83509-00	E-14
4EB-26302-00	E-4	11H-81844-00	E-12	5J0-83513-00	E-14
4EB-26331-00	E-4	26H-81847-00	E-12	3GM-83517-00	E-14
4EB-26335-00	E-4	3HE-81850-00	E-12	4BP-83531-00	E-14
1E6-26342-00	F-3	4G0-81871-00	E-12	3GM-83550-01	E-14
80L-26397-00	F-3	4BP-81940-00	F-4	4BR-83570-01	E-14
		3EN-81950-00	F-4	3AB-83790-00	B-14
4BR-27111-00	E-7	4U8-81950-02	F-4	4EB-83790-00	B-14
2GM-27114-00	E-7	4HM-81960-00	F-4	4KM-83912-00	F-3
4EB-27211-00	E-8	3PK-82100-00	F-4	3YX-83922-09	E-5
4BP-27222-00	E-8	4DH-82103-00	B-14	437-83936-01	E-5
4BP-27261-00	E-8	4EB-82115-00	F-4	3YX-83945-00	F-3
4BP-27311-00	E-6	4BP-82116-00	F-4	4KM-83963-00	F-3
2KT-27315-00	E-6	4EB-82129-00	F-4	4EB-83972-00	F-3
1TX-27351-00	E-6	120-82131-00	D-2	4BH-83980-00	E-5
2GH-27413-00	E-6	4BP-82131-00	D-2	3MA-8413H-00	E-15
4BP-27413-00	E-6	1AE-82151-00	F-4	3AJ-8431U-00	E-15
2H7-27414-00	E-6	36Y-82151-00	F-4	3HE-84312-40	E-15
4BR-27431-00	E-6	42X-82151-00	F-4	2F9-84314-00	E-15
4BP-27434-01	E-7	4BR-82305-10	F-4	4BR-84320-40	E-15
4BP-27437-00	E-6	4BR-82310-00	F-4	51L-84334-00	E-15
4BR-27441-00	E-6	4BR-82317-00	F-4	4E2-84347-00	E-15
4EB-27442-00	E-6	4BR-82320-00	F-4	4EB-84359-00	E-15
4EB-27443-00	E-6	4BP-82370-00	F-4	36Y-84397-00	E-15
4BP-27451-01	E-6	4JH-82501-01	F-4	4BP-8471J-00	F-2
4BP-27461-01	E-6	4BP-82509-00	F-5	4BP-84710-00	F-2
1HX-23100-01	D-2	4BP-82530-01	F-5	4BP-84712-00	F-2
4EB-28217-00	E-9	1L9-82540-00	F-5	137-84714-61	F-2
4BR-28308-50	E-9	3BT-82560-00	F-5	4BP-84721-00	F-2
4BR-28308-60	E-9	3LD-82566-70	F-5	4G1-84744-00	E-14
4EB-28350-00-FE	E-9	4EB-82590-00	F-4	3YF-84751-00	D-2
4EB-28350-00-PO	E-9	1UA-82591-00	F-4	3G1-85130-01	F-5
4EB-28356-00	E-9	12R-82591-00	F-3	4BR-85720-00	F-5
4EB-2836K-00	E-9	4KM-82911-00	F-3	4HD-85885-00	B-14
4KM-28371-00	E-9	3YX-82917-00	F-3	90101-06576	C-2
36F-28379-00	D-3	3GM-83310-00	E-13	90101-12558	D-6
4EB-28381-00	E-9	306-83311-40	E-13	90105-06153	B-2
8U9-77162-00	D-4	3GM-83320-00	E-13	90105-06789	C-9
		51J-83330-00	E-13	90105-06790	C-6
4EB-81410-00	E-10	1VU-83332-00	E-13	90105-06791	C-6
4HM-81450-00	E-10	51I-83332-01	E-13	90105-06792	C-6
4BR-81671-00	E-11	51J-83340-00	E-13	90105-06793	C-6
4BR-81673-00	E-11	1VU-83342-00	E-13	90105-06794	C-6
4BR-81800-00	E-12	51L-83342-01	E-13	90105-07342	B-7
3AJ-81809-00	E-12	3GM-83350-01	F-5	90105-03777	D-15
4BP-81815-00	E-12	10V-83365-00	E-13	90105-10445	E-11
3HE-81826-00	E-12	34Y-83371-00	F-5	90105-10638	D-14

NUMERICAL INDEX

PART NO.	GRID NO.	PART NO.	GRID NO.	PART NO.	GRID NO.
90105-10638	E - 3	90179-05271	E - 9	90202-17211	C - 4
90105-10662	E 10	90179-05523	E - 9	90202-24190	D - 7
90105-10788	C - 15	90179-06500	B - 2	90202-26142	D - 7
90105-12612	D - 6	90179-07307	B - 4	90206-14086	E - 8
90105-12787	C - 15	90179-08148	F - 3	90209-06339	B - 9
90109-080E9	D - 2	90179-08673	C - 2	90209-08249	C - 2
90109-063F1	E - 9	90179-10658	C - 15	90209-22191	C - 11
90109-066F0	B - 2	90179-12657	C - 15	90214-12070	C - 15
90109-080G5	F - 4	90179-16319	C - 8	90215-19226	C - 8
90109-083G1	E - 6	90179-18552	C - 11	90215-20231	C - 9
90109-083G4	D - 14	90179-25033	D - 7	90215-23265	C - 11
	E - 3	90183-03010	E - 9	90240-08124	E - 8
	E - 7	90183-05024	D - 4	90240-08140	E - 6
90109-101E6	E - 6		E - 9	90240-08141	E - 6
90109-106F9	D - 10	90185-10037	E - 6	90464-23041	D - 2
90110-05112	C - 4	90185-10091	E - 7	90338-08226	D - 4
90110-06153	C - 6	90185-14070	D - 5	90338-10132	D - 4
90111-06010	C - 3	90201-04018	D - 2	90338-48229	C - 3
90116-08338	C - 3	90201-06057	E - 14	90384-18157	D - 6
90116-08339	C - 3	90201-063J2	F - 2	90387-060M9	B - 12
90116-08340	B - 2	90201-065F3	D - 3	90387-06299	D - 10
90116-08566	C - 3	90201-080L7	B - 2	90387-064Y1	C - 6
90116-10485	D - 15	90201-080L8	B - 7	90387-067K8	B - 9
90119-06044	D - 2	90201-080S8	B - 14	90387-07037	F - 2
	D - 5	90201-08083	E - 8	90387-07598	B - 9
90119-06213	D - 10	90201-08326	E - 7	90387-083Y8	D - 5
90123-08096	F - 3	90201-084G3	B - 3	90387-10636	E - 6
90149-05299	E - 9	90201-094G1	B - 2	90387-123X6	D - 6
90149-06008	D - 10		C - 3	90387-125Y2	C - 5
90149-06228	D - 12	90201-10118	E - 5	90387-16547	C - 3
90150-04041	D - 2		E - 8	90387-173L5	E - 2
90150-05024	E - 9	90201-10119	C - 9	90387-174V8	D - 15
90151-06013	C - 13	90201-10639	E - 10	90387-177K0	D - 15
90151-06014	C - 4	90201-10669	C - 2	90387-177Y4	D - 13
90153-06029	B - 2	90201-113K2	B - 9	90387-177Y5	E - 2
90154-05059	D - 4	90201-127J6	C - 14	90387-2005R	B - 9
90157-05079	F - 5	90201-150H2	E - 7	90387-2103N	C - 8
	C - 15	90201-15785	C - 9	90387-253Y6	C - 8
90159-06092	C - 9	90201-160T2	C - 9	90401-10159	E - 5
90159-06107	E - 11	90201-161J3	E - 2	90401-12122	E - 8
90164-04005	E - 14	90201-170T3	D - 5	90401-20162	B - 9
90164-04008	E - 14	90201-200K3	E - 2	90430-06014	B - 2
90170-06228	C - 14	90201-202T6	C - 11	90430-06166	C - 9
90170-20327	C - 9	90202-05147	C - 11	90430-10171	C - 9
90171-16024	E - 2	90202-05193	C - 11	90430-10171	C - 3
90176-08080	B - 2	90202-10120	E - 9	90430-12202	C - 4
90176-22053	D - 7	90202-15153	D - 10	90430-14131	B - 9
			E - 9	90445-09683	B - 3
			C - 4		D - 11

NUMERICAL INDEX

PART NO.	GRID NO.	PART NO.	GRID NO.	PART NO.	GRID NO.
90445-103E6	D - 11	90560-17241	D - 13	93210-09350	C - 3
90445-11152	B - 11	91314-08030	D - 7	93210-10096	B - 8
90445-11699	B - 11	91314-08035	D - 8	93210-10197	B - 9
90445-144J8	D - 11	91317-05010	D - 10	93210-11453	C - 3
90445-252G5	E - 7	91317-06010	C - 6	93210-13361	B - 8
90460-54137	B - 11	91317-06016	B - 9	93210-20573	C - 4
90462-08078	B - 10		C - 4	93210-27778	C - 7
90462-08066	C - 5		D - 7	93210-29196	F - 5
90462-12140	B - 9	91317-06020	B - 11	93210-37532	B - 11
90464-13080	F - 4		F - 4	93210-47440	C - 8
90464-15157	D - 2	91317-06025	B - 7	93210-48460	C - 4
90464-15192	C - 15	91317-06030	B - 9	93210-63442	B - 3
90464-18205	D - 11		B - 8	93210-87723	B - 9
90464-23041	F - 4		B - 10		B - 10
90464-25217	C - 15	91317-06035	E - 4	93306-20310	D - 13
90465-10290	C - 5	91317-06040	B - 10	93306-20314	D - 15
90467-08021	D - 11	91401-20015	D - 15	93306-20545	C - 8
90467-09006	D - 11		E - 8	93306-30306	D - 15
90467-10008	D - 10	91401-25020	C - 4	93306-30525	C - 8
	D - 11		B - 11	93306-30530	C - 11
	D - 11		E - 6	93306-37207	D - 15
90467-11044	D - 11	91401-30030	E - 2	93306-90503	C - 13
90467-11106	B - 2	92014-08025	E - 8	93311-42045	C - 11
90467-13123	D - 11	92906-04600	E - 5	93315-10838	C - 10
90467-14015	B - 11	92907-04100	E - 14	93315-31502	C - 10
90467-14057	E - 8	92907-04200	D - 4	93320-32403	D - 5
90467-15054	B - 11	92907-04600	E - 14	93340-21505	C - 9
90480-12320	D - 4	92907-05200	B - 2	93399-99931	D - 7
90480-12415	B - 9	92907-06600	B - 2	93399-99932	D - 7
90480-14023	B - 12		D - 10	93440-09141	B - 2
90480-14323	C - 15		E - 8	93440-25084	C - 11
90480-16284	B - 9	92907-08100	B - 14		C - 13
90480-18276	F - 2	92907-10200	E - 8	93450-16068	B - 4
90501-06022	C - 13	92990-03100	E - 14	93501-04011	E - 6
90501-12413	B - 9	92990-06600	C - 2	93603-07073	B - 8
90501-12743	E - 6	92990-08600	D - 15	93603-17070	B - 8
90501-143A8	C - 4	93101-32144	B - 4	93604-10011	B - 4
90501-23391	C - 9	93102-12106	C - 14		C - 13
90506-03227	C - 14	93102-15212	C - 9	93604-12037	C - 13
90506-18224	E - 6	93102-25017	D - 13	93605-10108	C - 9
90506-20192	E - 8	93102-25044	D - 15	93900-00030	D - 13
90506-26225	E - 6	93102-25253	C - 8		D - 15
90506-35297	E - 7	93102-35109	C - 11	94111-1707Y	D - 13
90508-142A8	C - 9	93105-42024	D - 15	94111-1709E	D - 13
90508-20572	E - 6	93105-45017	D - 13	94113-1807X	D - 15
90508-241A9	C - 13	93109-12053	C - 6	94113-1809F	D - 15
90508-292A0	C - 14	93109-18020	D - 6	94581-30110	D - 15
90560-12211	C - 14	93210-07540	C - 4	94701-00329	B - 2



NUMERICAL INDEX

PART NO.	GRID NO.	PART NO.	GRID NO.	PART NO.	GRID NO.
94701-00330	B - 2	95817-06012	E - 9	98907-06010	B - 7
94890-04144	B - 7	95817-06030	B - 12	99006-10600	C - 14
95024-06016	D - 2	95817-06035	C - 4	99009-10400	C - 10
95024-06025	D - 2	95817-06040	C - 3	99009-11400	B - 8
95024-06030	C - 6	95817-06065	C - 3		B - 9
95024-06035	C - 6	95817-06095	C - 3	99009-17500	B - 9
95024-06055	C - 6	95817-06135	C - 3	99009-40400	C - 9
95024-06065	C - 6	95817-08035	E - 9	99227-00140	D - 10
95024-08030	C - 2	95817-08080	C - 3	99237-00080	D - 2
95027-06014	D - 11	95824-06025	E - 12	99237-00100	E - 9
95027-06016	D - 2	95824-10016	C - 15	99510-08016	B - 2
	F - 5	95824-10050	C - 15		B - 10
95027-06020	F - 3	95827-06025	B - 9	99510-12016	C - 3
95027-06030	E - 5	95827-08075	B - 7	99530-10014	C - 3
95303-06600	E - 5	97007-06014	C - 8		C - 6
95304-06700	C - 14	97007-06025	D - 10	99530-14016	B - 3
95304-08700	E - 8	97007-08055	D - 10		C - 3
95307-06600	E - 14	97027-06012	C - 6		
	F - 2	97027-06020	C - 14		
95307-12600	E - 13	97080-06020	F - 4		
95317-06600	B - 2	97707-40010	D - 3		
	B - 9		D - 4		
95317-08600	B - 3	97707-40620	E - 13		
95380-08600	D - 15	97707-50130	B - 11		
95607-04100	D - 2	97707-60016	D - 2		
95607-06100	D - 3	98507-04010	E - 14		
	F - 3	98507-05008	B - 14		
95607-10200	D - 15	98507-05010	B - 14		
95607-12200	D - 6	98507-05025	F - 3		
95617-06100	E - 5	98507-05035	E - 4		
95617-06618	B - 2	98507-05045	F - 3		
95617-06630	B - 2	98507-06016	B - 8		
95627-08330	B - 3	98507-06018	E - 8		
95704-08500	D - 15	98507-06025	B - 8		
95707-05500	F - 5	98507-06035	B - 8		
95707-06500	B - 9	98517-04012	E - 5		
	D - 12	98517-05012	B - 14		
	F - 4	98580-03010	F - 14		
95707-10500	C - 2	98580-04008	B - 13		
95707-12500	E - 13	98580-04014	B - 13		
95804-08035	C - 2	98706-03008	B - 14		
95807-06010	F - 5	98706-05010	B - 14		
95807-06016	D - 5	98707-03020	F - 3		
95814-06045	C - 3	98707-04012	E - 5		
95814-06055	C - 3	98707-04018	D - 10		
95814-08100	C - 3	98707-05012	F - 5		
95814-10400	C - 2	98707-05016	C - 13		
95817-06010	D - 11	98707-06016	C - 13		

NUMERICAL INDEX

PART NO.	GRID NO.	PART NO.	GRID NO.	PART NO.	GRID NO.
----------	----------	----------	----------	----------	----------

**INDEX**  
**(INDIVIDUAL SPEC.)**

L<sub>1</sub>

NUMERICAL INDEX

PART NO.	GRID NO.
22F-14142-12	F -11
22F-14142-15	F - 9
1HX-14231-26	F -11
1HX-14321-27	F - 9
4DG-1490J-10	F -11
4EB-1490J-10	F - 9
4DG-14900-20	F -11
4EB-14900-20	F - 9
4DG-14901-20	F -11
4EB-14901-20	F - 9
4DG-14902-20	F -11
4EB-14902-20	F - 9
4DG-14903-20	F -11
4EB-14903-20	F - 9
4DG-14904-20	F -11
4EB-14904-20	F - 9
4DG-14940-10	F -11
4EB-14940-00	F - 9
4DU-21597-00	F -12
4DU-21611-01	F -12
3LK-21688-00	F -12
3LK-21689-00	F -12
4BP-25446-20	F -12
4DU-25875-00	F -12
4DG-82305-00	F -12
4BR-83500-20	F - 7
4DC-83500-10	F -12
4b 83570-11	F - 7
4DG-83570-00	F -12
3MA-8413H-00	F - 7
3AJ-8431U-00	F - 7
3HE-84312-40	F - 7
2F9-84314-00	F - 7
3HE-84320-60	F - 7
51L-84334-00	F - 7
4E2-84347-00	F - 7
36Y-397-00	F - 7
11H-85110-01	F -12
20G-85110-00	F -12
90201-04018	F -12
90267-40076	F -12
94581-30108	F -12
95027-06025	F -12
95707-05500	F -12

NUMERICAL INDEX

PART NO.	GRID NO.	PART NO.	GRID NO.	PART NO.	GRID NO.	PART NO.	GRID NO.
----------	----------	----------	----------	----------	----------	----------	----------

L2